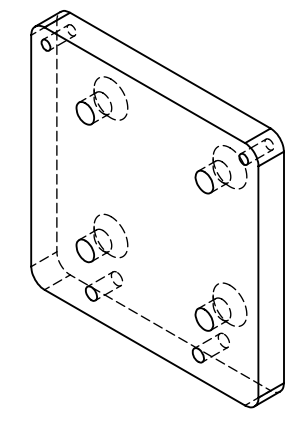
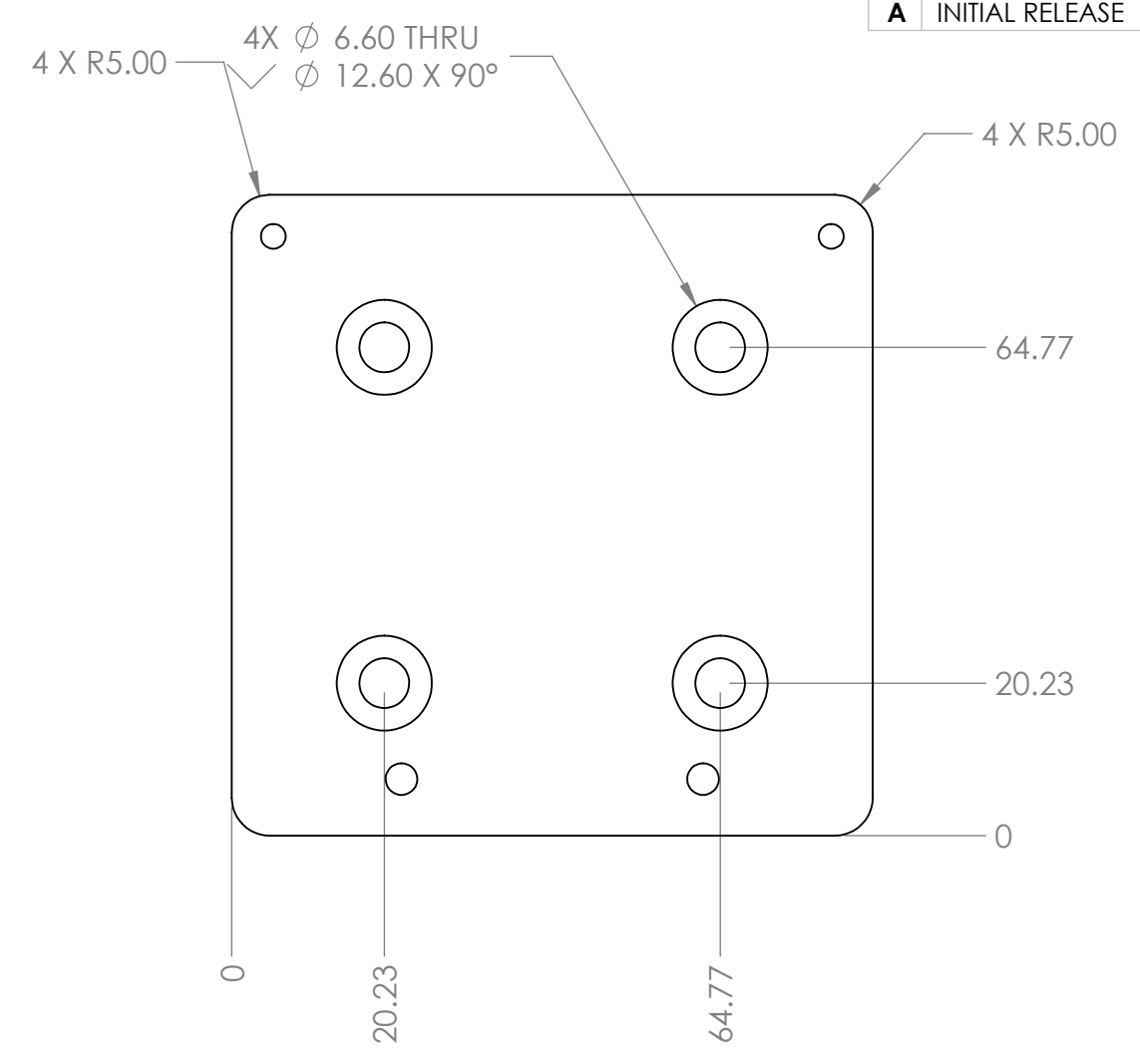
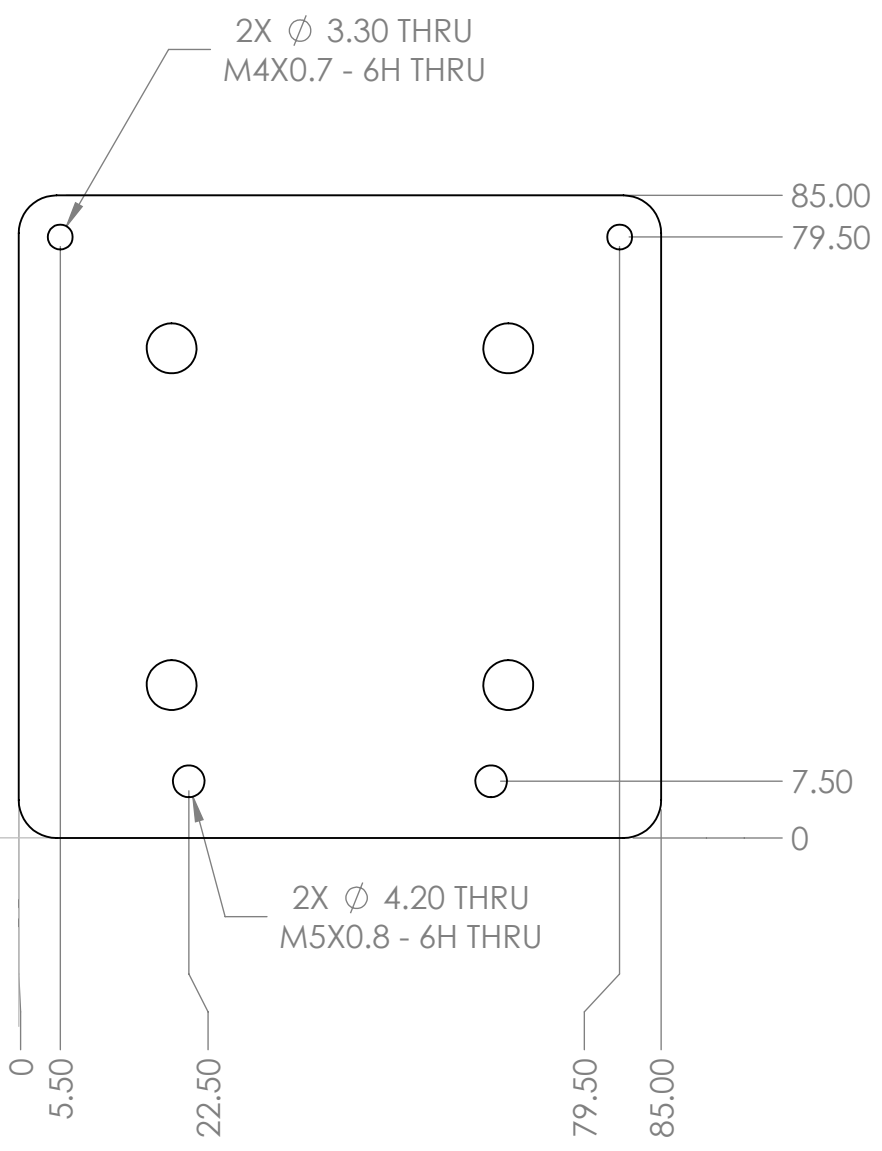


REVISION HISTORY

A	INITIAL RELEASE	J.M.	2020-12-23
----------	-----------------	------	------------



<p>PROPRIETARY AND CONFIDENTIAL</p> <p>THE INFORMATION CONTAINED IN THIS DRAWING IS THE SOLE PROPERTY OF READY ROBOTICS. ANY REPRODUCTION IN PART OR AS A WHOLE WITHOUT THE WRITTEN PERMISSION OF READY ROBOTICS IS PROHIBITED.</p>	<p>NOTE ON DIMENSIONS:</p> <p>ONLY REFERENCE AND CRITICAL DIMENSIONS SHOWN. PLEASE REFER TO 3D MODEL FOR ALL OTHER DIMENSIONS. NOMINAL TOLERANCE SHOULD BE USED UNLESS OTHERWISE SPECIFIED</p>	<p>DIMENSIONS: mm</p> <p>TOLERANCES: XX +/- .01 XXX +/- .005</p> <p>MATERIAL:</p> <p>FINISH:</p>	NAME	DATE		
			DRAWN	Miller		2021-03-30
			ENG APPR.			
			COMMENTS			
Refer to file R-301493 - Valve Block Front Housing Plate - Schunk PGN100 - Kawasaki for all geometry			PART NO.	R-301493	REV	A
			DESCRIPTION	R-301493 - Valve Block Front Housing Plate - Schunk PGN100 - Kawasaki		SHEET SIZE: B
			SHEET 1 OF 1			