

6

5

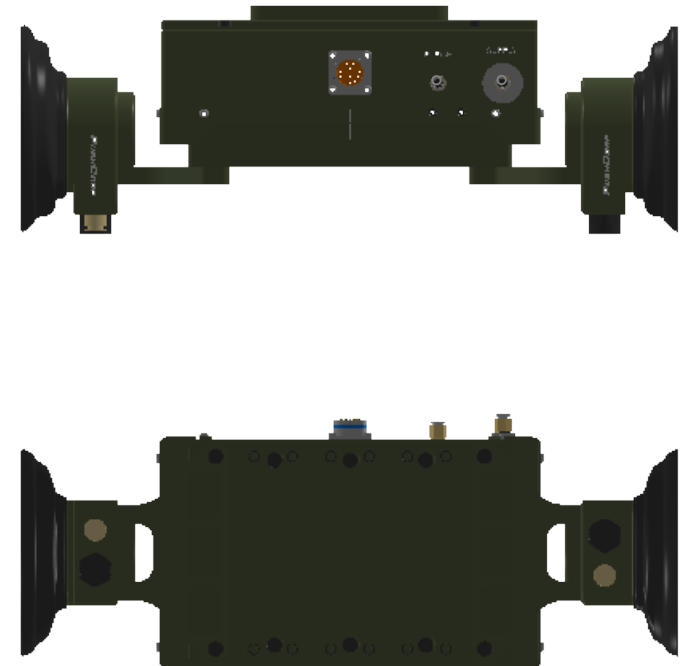
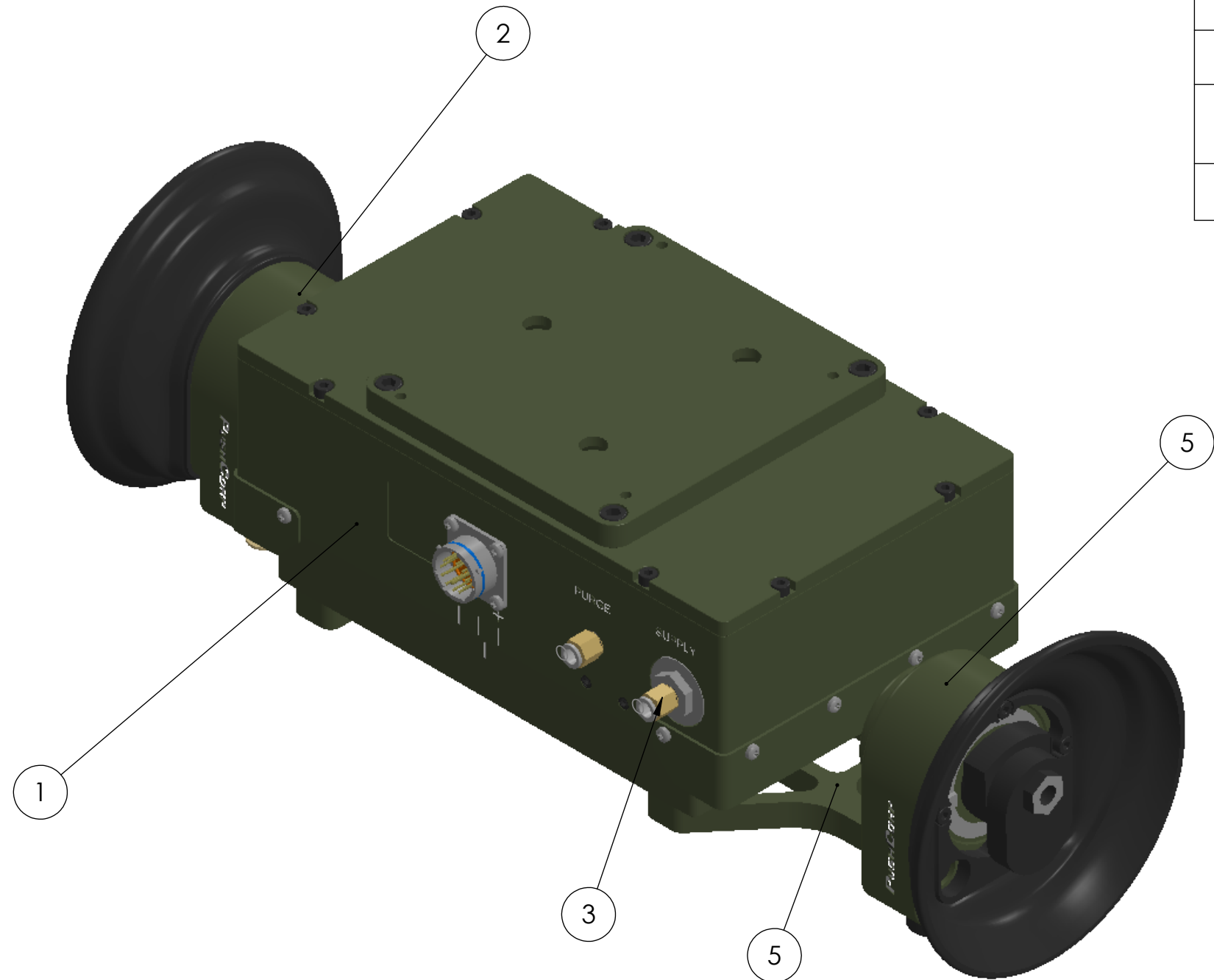
4

3

2

1

ITEM NO.	Mfg	Mfg Part Number	DESCRIPTION	QTY.
1	PushCorp	AFD310-2-02967	Active Compliant Tool	1
2	PushCorp	RPS100-02904	5IN-3/16IN ORBIT PNEUMATIC DA SANDER	1
3	SMC	KQ2H06-01AS	Air Fitting, 6mm, R1/8	2
4	PushCorp	ASM03240	Sander Parallel Mounting Bracket	2
5	PushCorp	RPS100-03247	5IN-3/8IN ORBIT PNEUMATIC DA SANDER	1



6

5

4

3

2

1

PROPRIETARY AND CONFIDENTIAL THE INFORMATION CONTAINED IN THIS DRAWING IS THE SOLE PROPERTY OF READY ROBOTICS. ANY REPRODUCTION IN PART OR AS A WHOLE WITHOUT THE WRITTEN PERMISSION OF READY ROBOTICS IS PROHIBITED.	NAME	DATE	
	DRAWN dylan.smith	2021-01-28	
	ENG APPR.		PART NO. R-700003
	COMMENTS Refer to file R-700003 - PushCorp Dual Sanding EOAT for all geometry		DESCRIPTION R-700003 - PushCorp Dual Sanding EOAT
			SHEET 1 OF 1 SHEET SIZE: B

6

5

4

3

2

1