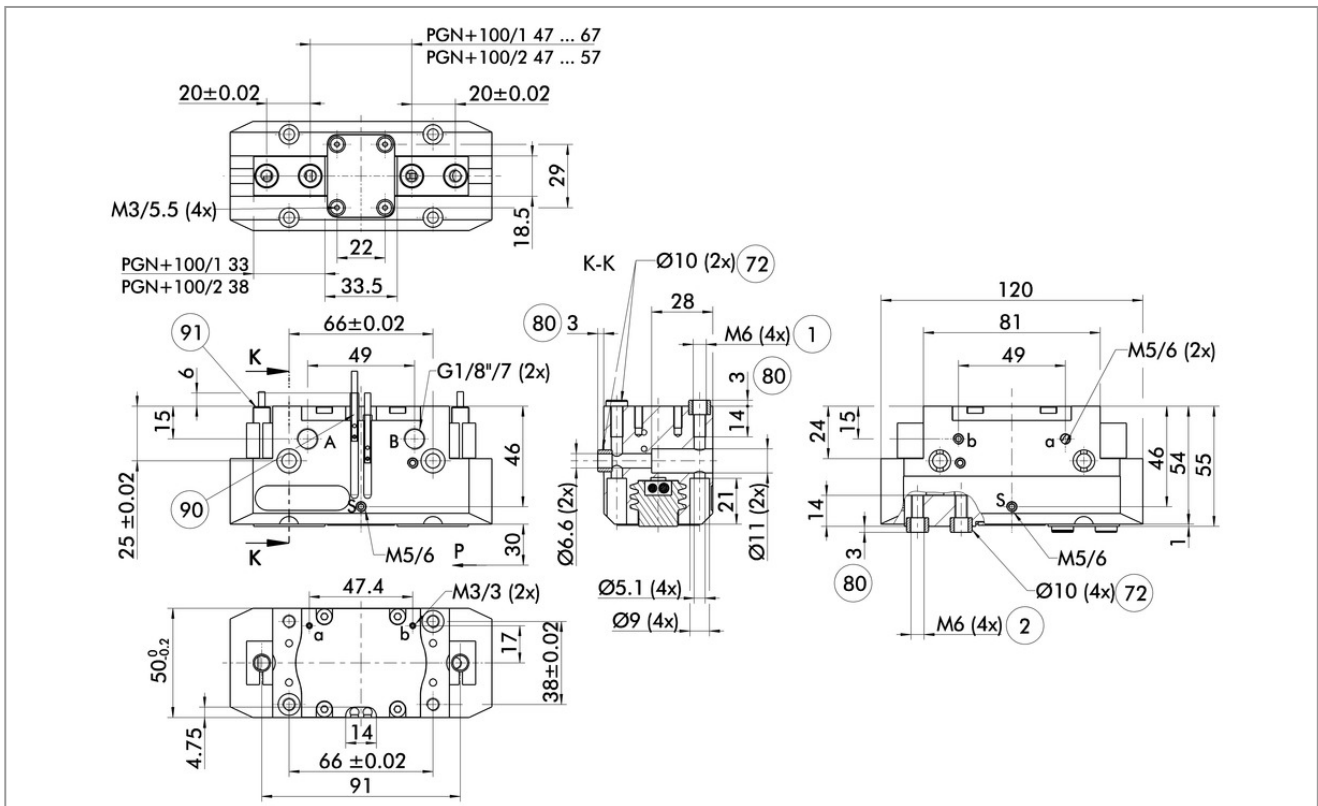


Main view

0371102 PGN-plus 100-1

- i** Please note that the drawing shown is a view of the basic product. Individual product variants are supplemented by the following drawings. Please also take note of the article's catalog data sheet here.



The drawing shows the gripper in the basic version with closed jaws, without dimensional consideration of the options described below.

- A, a Main / direct connection, gripper opening
- B, b Main / direct connection, gripper closing
- S Air purge connection
- ① Gripper connection
- ② Finger connection
- ⑦② Fit for centering sleeves
- ⑧① Depth of the centering sleeve hole in the counter part
- ⑨① Sensor MMS 22..
- ⑩① Sensor IN ...