

6

5

4

3

2

1

D

D

C

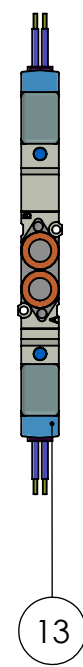
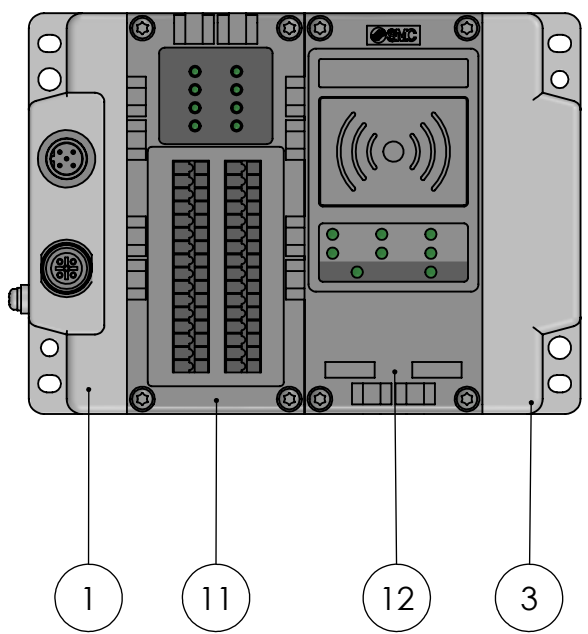
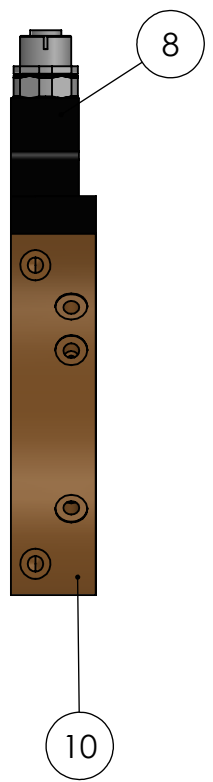
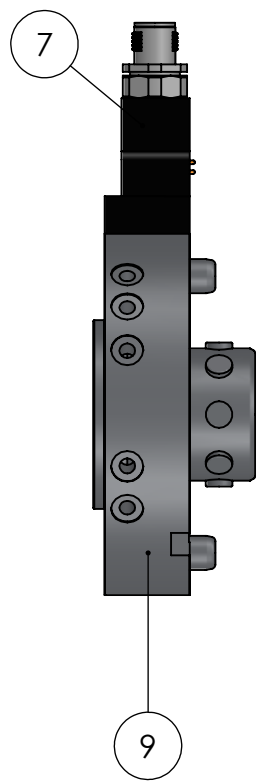
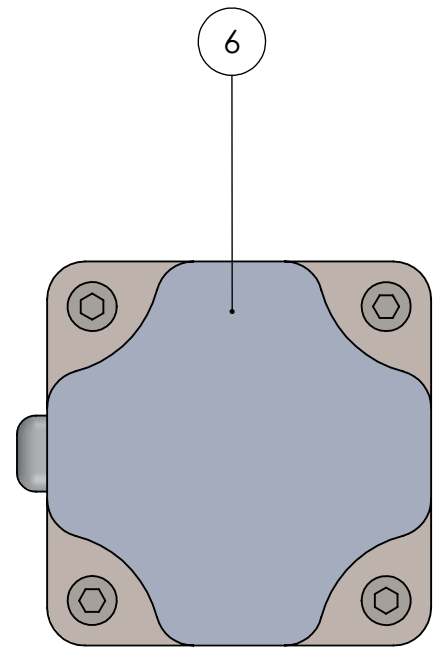
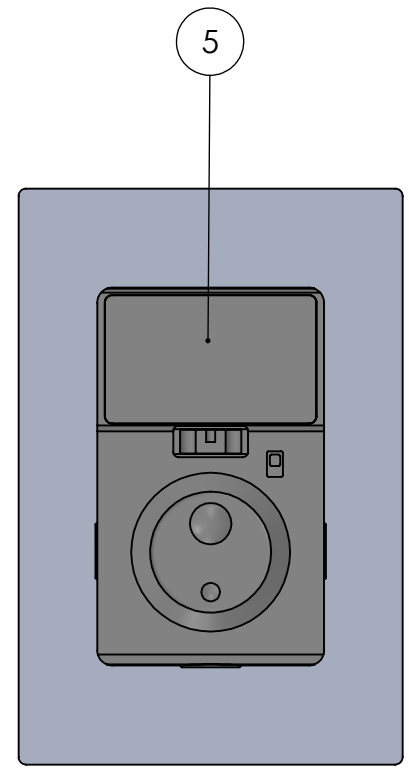
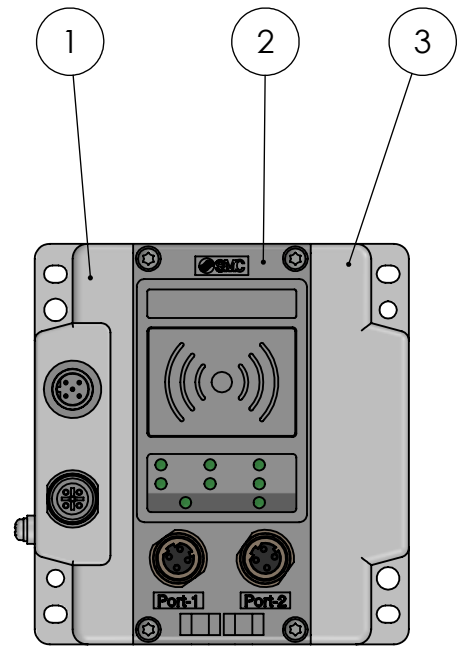
C

B

B

A

A



ITEM NO.	Mfg	Mfg Part Number	QTY.
1	SMC	EX600-ED2	2
2	SMC	EX600-WEN1	1
3	SMC	EX600-EU1	2
4	Automation Direct	QMIS-0P-0F	1
5	Oriental Motor	BMUD120-A2	1
6	Oriental Motor	BLM5120HP-GFV	1
7	Zimmer	WER2000FIL01-00-A	1
8	Zimmer	WER2000LIL01-00-A	1
9	Zimmer	WWR80F-B	1
10	Zimmer	WWR80L-B	1
11	SMC	EX600-DMPF	1
12	SMC	EX600-WSV1	1
13	SMC	SY3420-5GZ	1

PROPRIETARY AND CONFIDENTIAL
 THE INFORMATION CONTAINED IN THIS DRAWING IS THE SOLE PROPERTY OF READY ROBOTICS. ANY REPRODUCTION IN PART OR AS A WHOLE WITHOUT THE WRITTEN PERMISSION OF READY ROBOTICS IS PROHIBITED.

NAME	DATE
DRAWN Josh Miller	2021-08-23
ENG APPR.	
COMMENTS Refer to file Bill of Materials	
for all geometry	

PART NO. SMC Wireless IO	
DESCRIPTION	REV
Bill of Materials	A
SHEET 1 OF 1	SHEET SIZE: B

6

5

4

3

2

1