

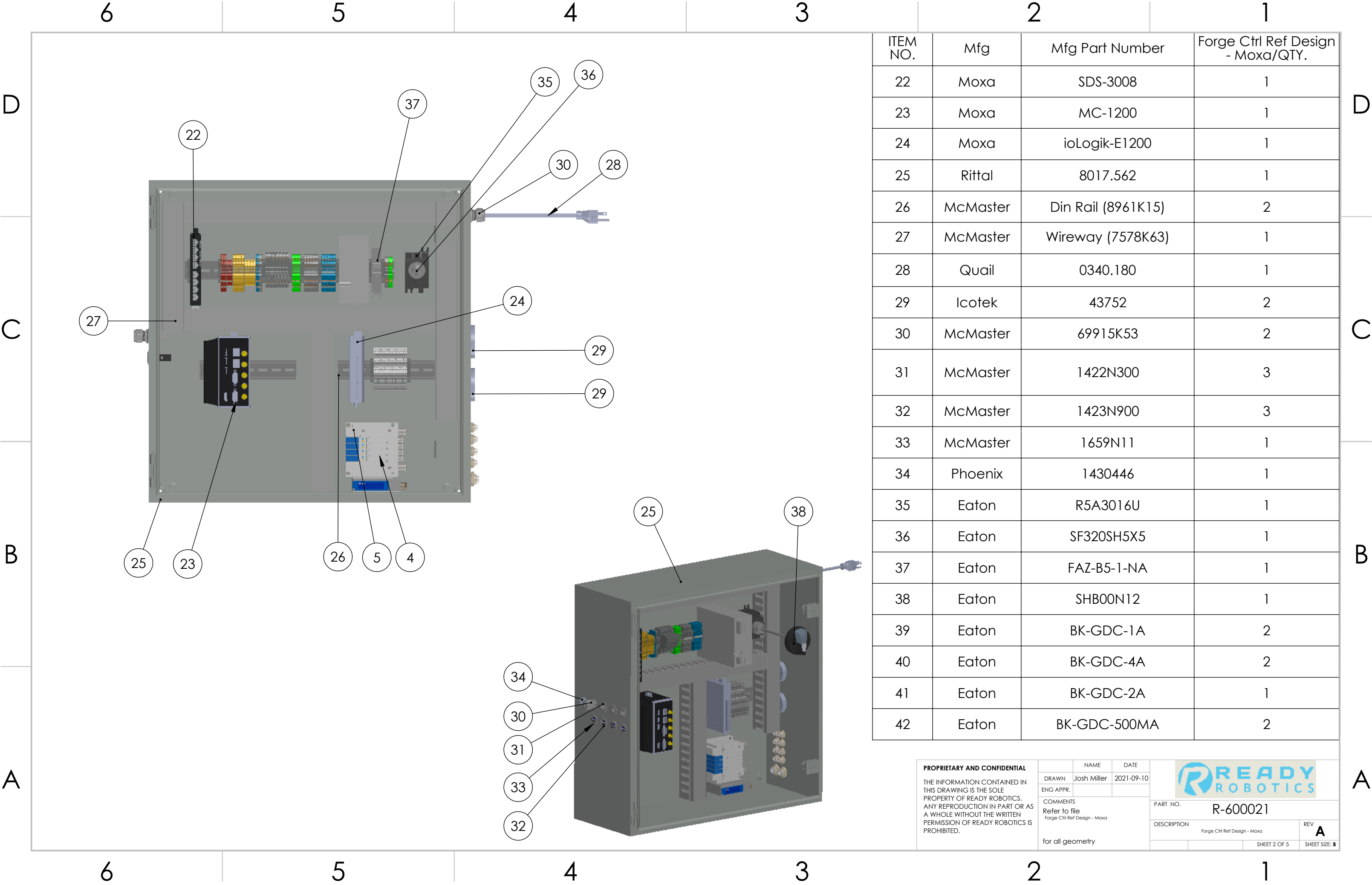
ITEM NO.	Mfg	Mfg Part Number	Forge Ctrl Ref Design - Moxa/QTY.
1	Wago	2000-5311	9
2	SMC	KQ2E06	8
3	SMC	KQ2E10	2
4	SMC	JSY3A00-5NZ	4
5	SMC	JJ5SY3-10SEBN-04B-C6	1
6	Wago	2002-1206	4
7	Wago	2002-1406	4
8	Wago	2002-1491	6
9	Wago	2002-1291	2
10	Wago	2202-1404	6
11	Wago	2202-1407	3
12	Wago	2202-1403	2
13	Wago	2202-1401	6
14	Wago	2206-1207	1
15	Wago	2206-1201	1
16	Wago	2202-1203	2
17	Wago	2202-1611	7
18	Wago	249-116	11
19	Wago	2202-405	2
20	Wago	2000-408	4
21	Wago	787-1632	1

PROPRIETARY AND CONFIDENTIAL
 THE INFORMATION CONTAINED IN THIS DRAWING IS THE SOLE PROPERTY OF READY ROBOTICS. ANY REPRODUCTION IN PART OR AS A WHOLE WITHOUT THE WRITTEN PERMISSION OF READY ROBOTICS IS PROHIBITED.

DRAWN	NAME	DATE
ENG APPR.	Josh Miller	2021-09-10
COMMENTS		
Refer to file Forge Ctrl Ref Design - Moxa		
for all geometry		

READY ROBOTICS

PART NO.	R-600021
DESCRIPTION	Forge Ctrl Ref Design - Moxa
REV	A
SHEET 1 OF 5	SHEET SIZE: B



ITEM NO.	Mfg	Mfg Part Number	Forge Ctrl Ref Design - Moxa/QTY.
22	Moxa	SDS-3008	1
23	Moxa	MC-1200	1
24	Moxa	ioLogik-E1200	1
25	Rittal	8017.562	1
26	McMaster	Din Rail (8961K15)	2
27	McMaster	Wireway (7578K63)	1
28	Quail	0340.180	1
29	Icotek	43752	2
30	McMaster	69915K53	2
31	McMaster	1422N300	3
32	McMaster	1423N900	3
33	McMaster	1659N11	1
34	Phoenix	1430446	1
35	Eaton	R5A3016U	1
36	Eaton	SF320SH5X5	1
37	Eaton	FAZ-B5-1-NA	1
38	Eaton	SHB00N12	1
39	Eaton	BK-GDC-1A	2
40	Eaton	BK-GDC-4A	2
41	Eaton	BK-GDC-2A	1
42	Eaton	BK-GDC-500MA	2

PROPRIETARY AND CONFIDENTIAL
 THE INFORMATION CONTAINED IN THIS DRAWING IS THE SOLE PROPERTY OF READY ROBOTICS. ANY REPRODUCTION IN PART OR AS A WHOLE WITHOUT THE WRITTEN PERMISSION OF READY ROBOTICS IS PROHIBITED.

DRAWN	NAME	DATE
ENG APPR.	Josh Miller	2021-09-10

COMMENTS
 Refer to file
 Forge Ctrl Ref Design - Moxa

for all geometry

READY ROBOTICS

PART NO. R-600021

DESCRIPTION Forge Ctrl Ref Design - Moxa

REV **A**

SHEET 2 OF 5 SHEET SIZE: B

6

5

4

3

2

1

D

D

C

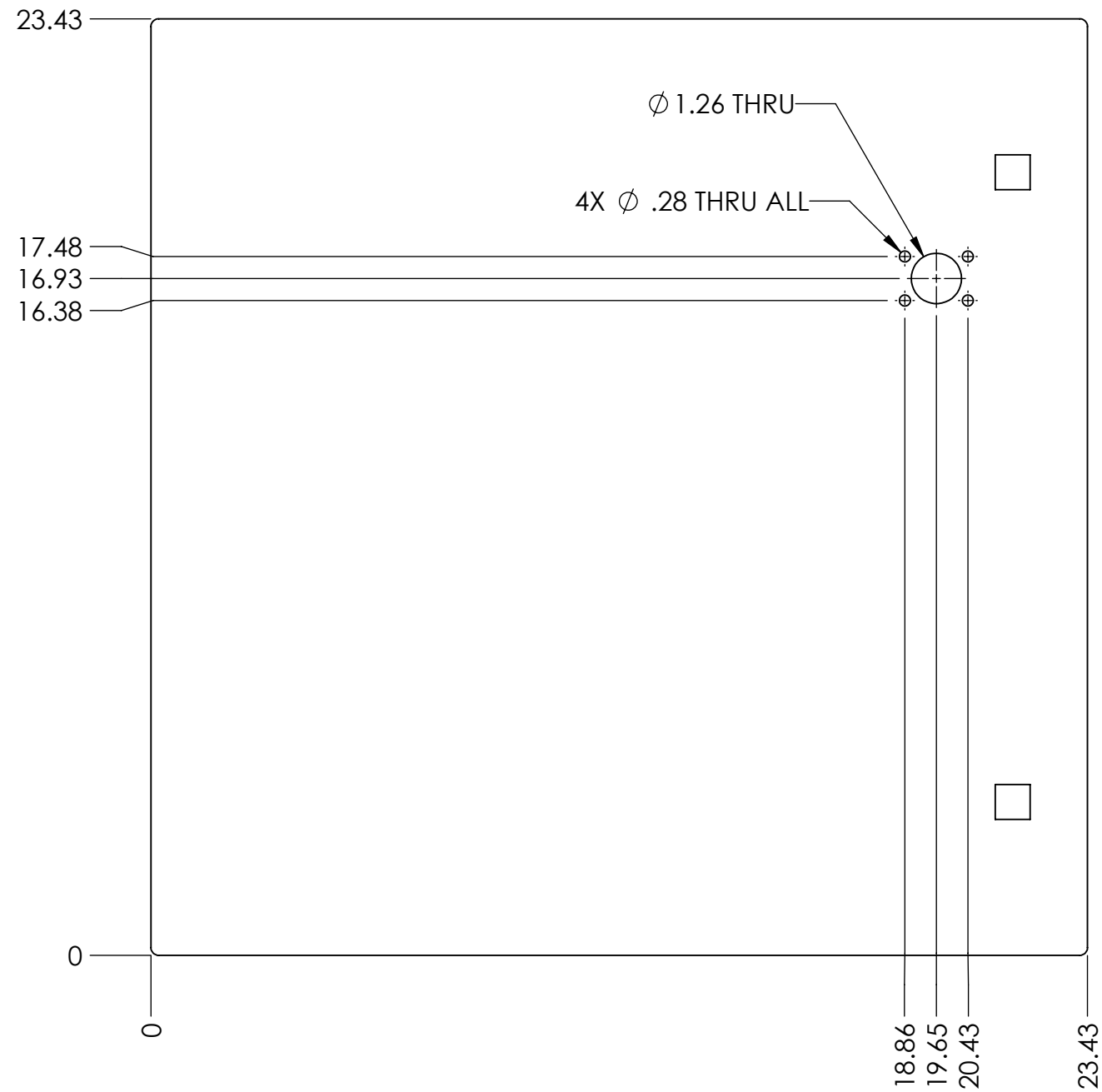
C

B

B

A

A



PROPRIETARY AND CONFIDENTIAL		NAME	DATE	
THE INFORMATION CONTAINED IN THIS DRAWING IS THE SOLE PROPERTY OF READY ROBOTICS. ANY REPRODUCTION IN PART OR AS A WHOLE WITHOUT THE WRITTEN PERMISSION OF READY ROBOTICS IS PROHIBITED.		DRAWN Josh Miller	2021-09-10	
		ENG APPR.		
		COMMENTS Refer to file Forge Ctrl Ref Design - Moxa		PART NO. R-600021
		for all geometry		DESCRIPTION Forge Ctrl Ref Design - Moxa
				REV A
				SHEET SIZE: B

6

5

4

3

2

1

6 5 4 3 2 1

D

D

C

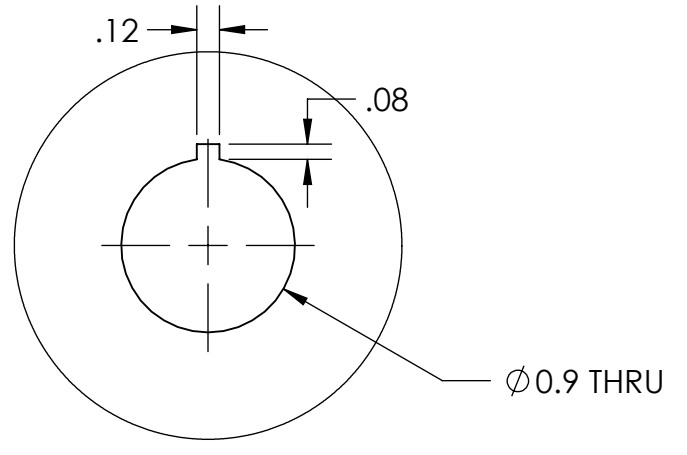
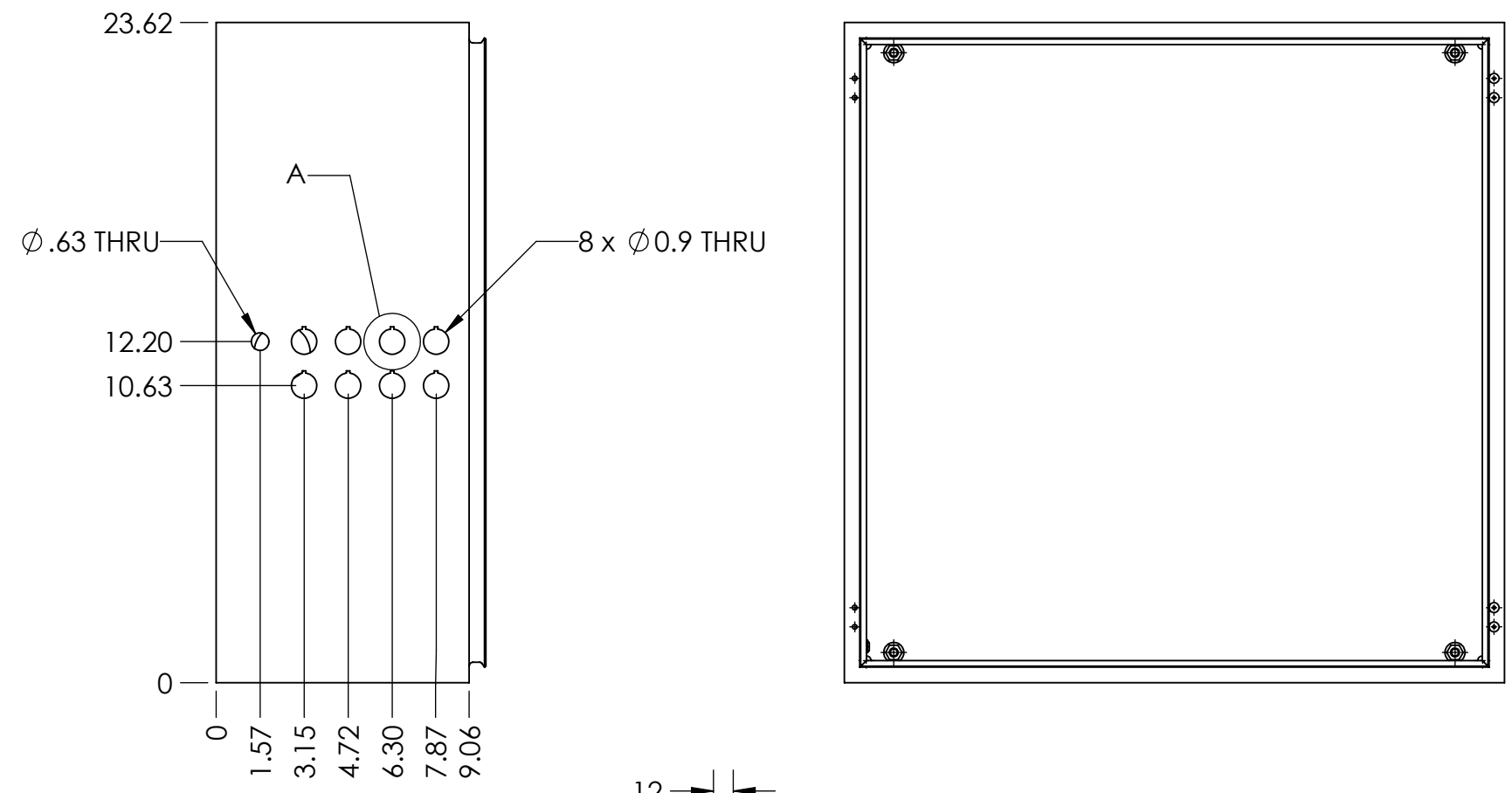
C

B

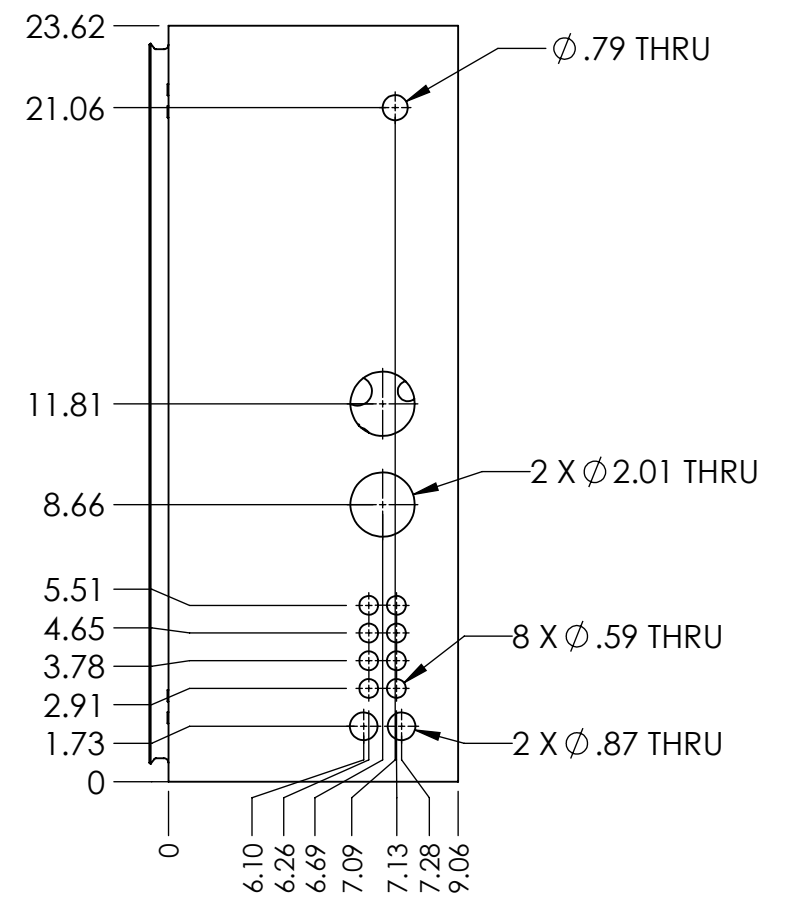
B

A

A



DETAIL A
SCALE 1 : 1

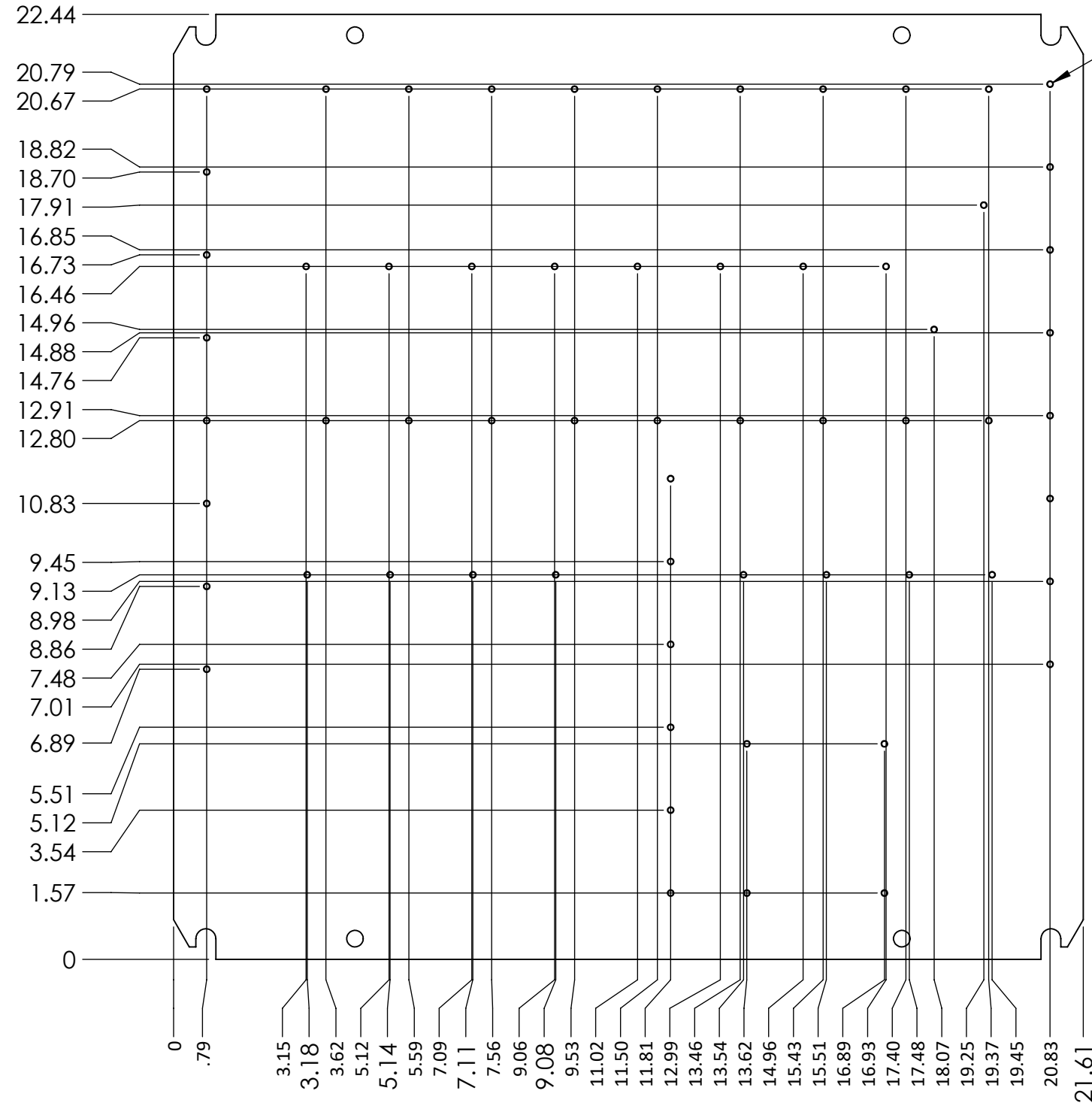



PROPRIETARY AND CONFIDENTIAL		NAME	DATE	
THE INFORMATION CONTAINED IN THIS DRAWING IS THE SOLE PROPERTY OF READY ROBOTICS. ANY REPRODUCTION IN PART OR AS A WHOLE WITHOUT THE WRITTEN PERMISSION OF READY ROBOTICS IS PROHIBITED.		DRAWN Josh Miller	2021-09-10	
		ENG APPR.		
		COMMENTS Refer to file Forge Ctr Ref Design - Moxa		PART NO. R-600021
		for all geometry		DESCRIPTION Forge Ctr Ref Design - Moxa
				REV A
				SHEET SIZE: B

6 5 4 3 2 1

REVISION HISTORY

A	INITIAL RELEASE	J.M.	2021-09-10
----------	-----------------	------	------------



<p>PROPRIETARY AND CONFIDENTIAL</p> <p>THE INFORMATION CONTAINED IN THIS DRAWING IS THE SOLE PROPERTY OF READY ROBOTICS. ANY REPRODUCTION IN PART OR AS A WHOLE WITHOUT THE WRITTEN PERMISSION OF READY ROBOTICS IS PROHIBITED.</p>	<p>NOTE ON DIMENSIONS:</p> <p>ONLY REFERENCE AND CRITICAL DIMENSIONS SHOWN. PLEASE REFER TO 3D MODEL FOR ALL OTHER DIMENSIONS. NOMINAL TOLERANCE SHOULD BE USED UNLESS OTHERWISE SPECIFIED</p>	<p>DIMENSIONS:</p> <p>TOLERANCES: XX +/- .01 XXX +/- .005</p> <p>MATERIAL:</p> <p>FINISH:</p>	NAME	DATE	
			DRAWN	2021-09-10	
			ENG APPR.		
			<p>COMMENTS</p> <p>Refer to file R-600021 - Forge Ctrl Ref Design</p> <p>for all geometry</p>		
			PART NO.	R-600021	REV
			DESCRIPTION	Forge Ctrl Ref Design - Moxa	A
			SHEET 5 OF 5		SHEET SIZE: B