

6

5

4

3

2

1

D

D

C

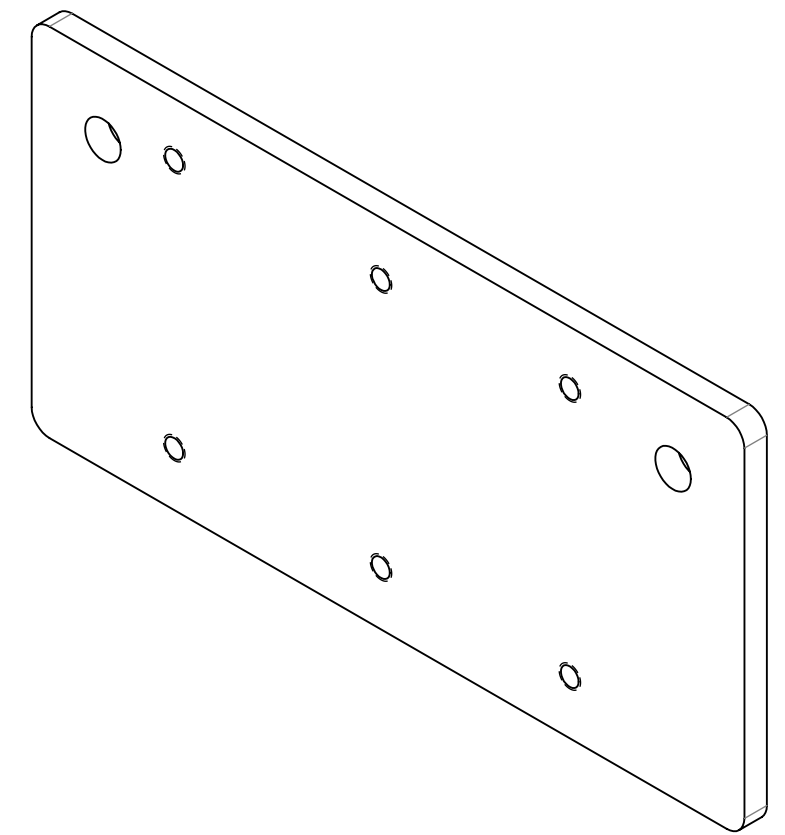
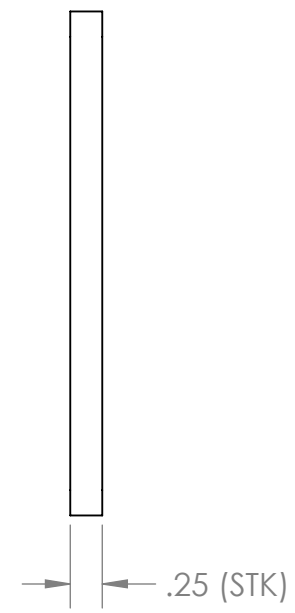
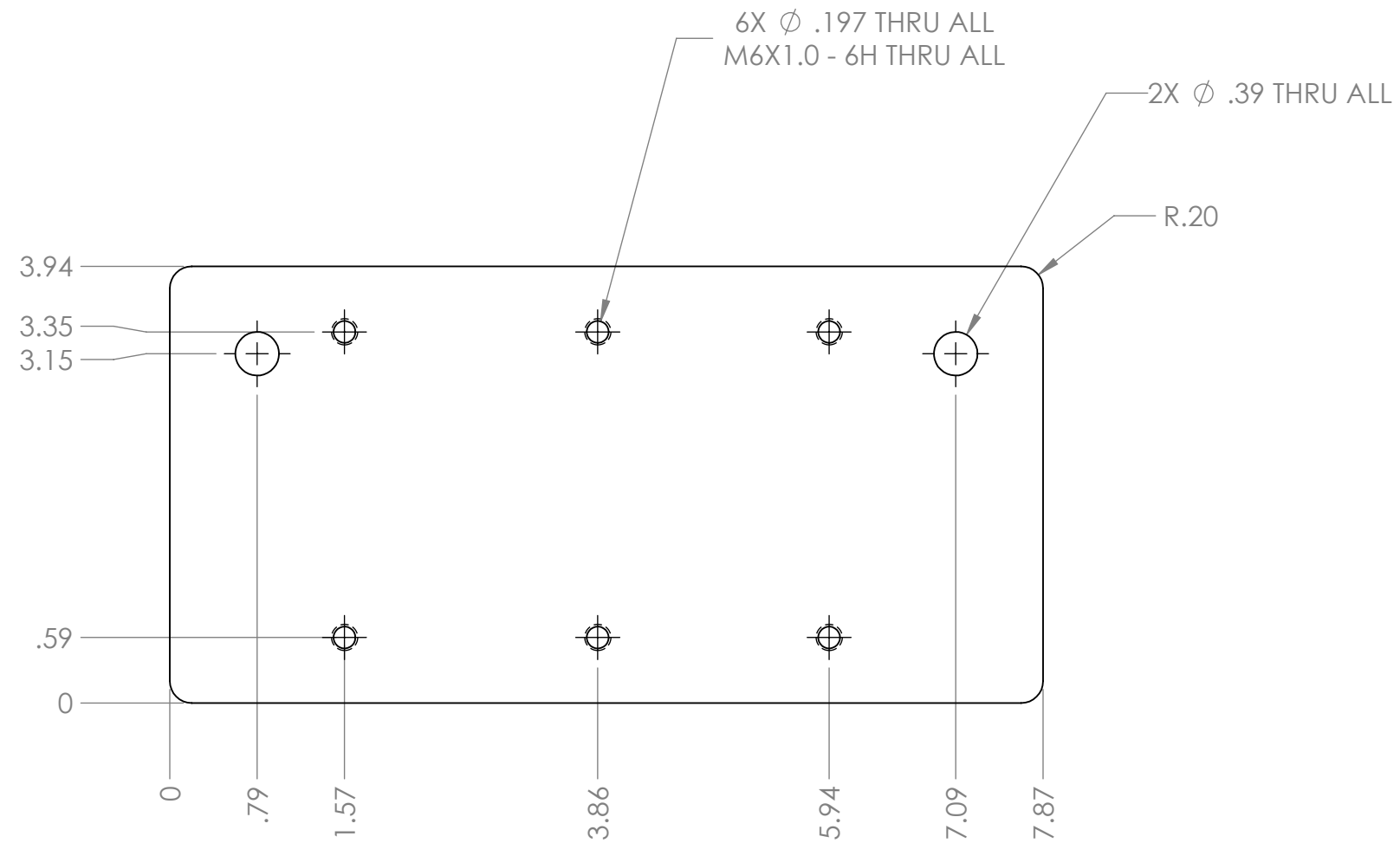
C


B

B

A

A



PROPRIETARY AND CONFIDENTIAL THE INFORMATION CONTAINED IN THIS DRAWING IS THE SOLE PROPERTY OF READY ROBOTICS. ANY REPRODUCTION IN PART OR AS A WHOLE WITHOUT THE WRITTEN PERMISSION OF READY ROBOTICS IS PROHIBITED.	NOTE ON DIMENSIONS: ONLY REFERENCE AND CRITICAL DIMENSIONS SHOWN. PLEASE REFER TO 3D MODEL FOR ALL OTHER DIMENSIONS. NOMINAL TOLERANCE SHOULD BE USED UNLESS OTHERWISE SPECIFIED	DIMENSIONS: Inches TOLERANCES: .XX +/- .01 .XXX +/- .005 MATERIAL: 6061 ALUMINUM FINISH: MACHINE	NAME	DATE	
			DRAWN	2020-12-16	
			ENG APPR.		
			COMMENTS Refer to file R-301470 - Air Service Plate for all geometry		
			PART NO.	R-301470	REV
			DESCRIPTION	R-301470 - Air Service Plate	A
			SCALE: 1:1	VOLUME:	SHEET 1 OF 2
			SHEET SIZE: B		

6

5

4

3

2

1