

# TANDEM PGS3

## Pneumatic Clamping Force Block

### Pneumatic Clamping Force Block

Available with standard or long stroke (-LH), centrally clamping

### Scope of Delivery

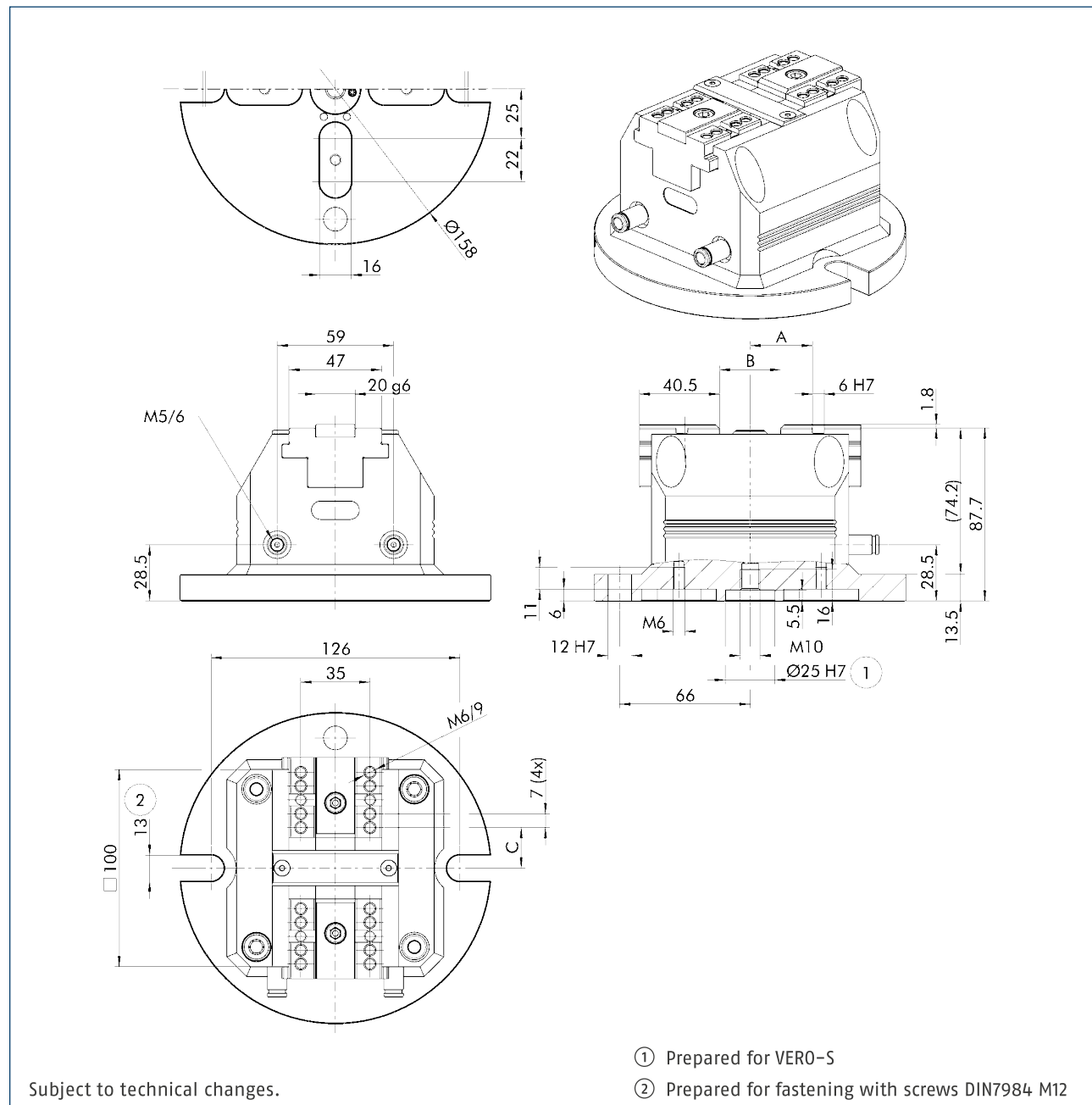
Clamping force block, fastening screws for system jaws, cover plug and operating manual; without system jaws, without clamping pin, without indexing pin

### Technical Data

Description	ID	Stroke/Jaw [mm]	Clamping Force* [N]	Max. Pressure [bar]	Repeat Accuracy Vise** [mm]	Max. Jaw Height [mm]	Weight [kg]
PGS3 100	1446779	2	10000	6	0.02	30	5
PGS3-LH 100	1446791	6	4500	6	0.02	45	5

\*Clamping force is the arithmetic sum of the individual forces present at the chuck jaws at a clearance of "H" at maximum pressure and maximum torque.

\*\*The repeat accuracy is the result from the end position spreads after 100 consecutive strokes.



Subject to technical changes.