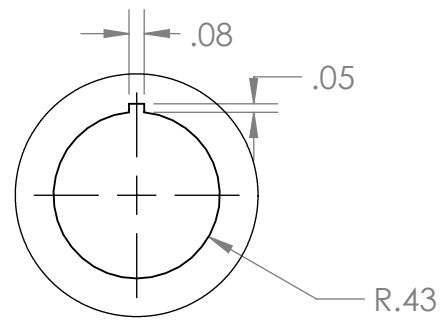
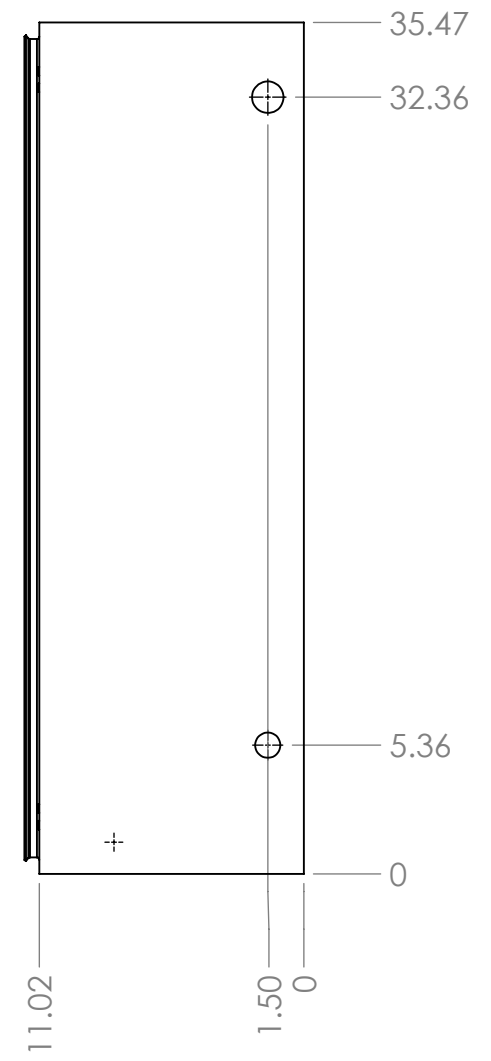
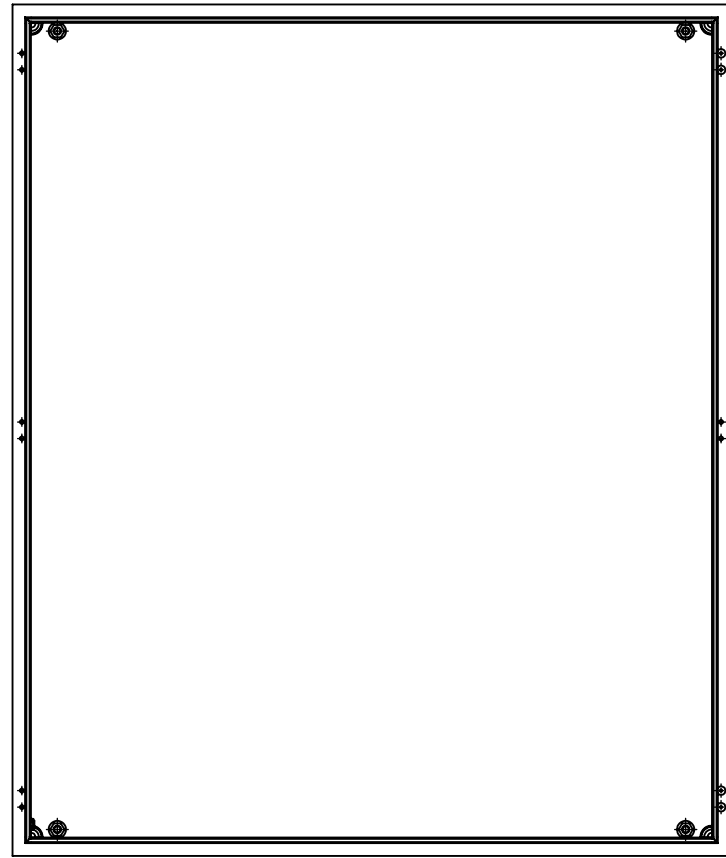
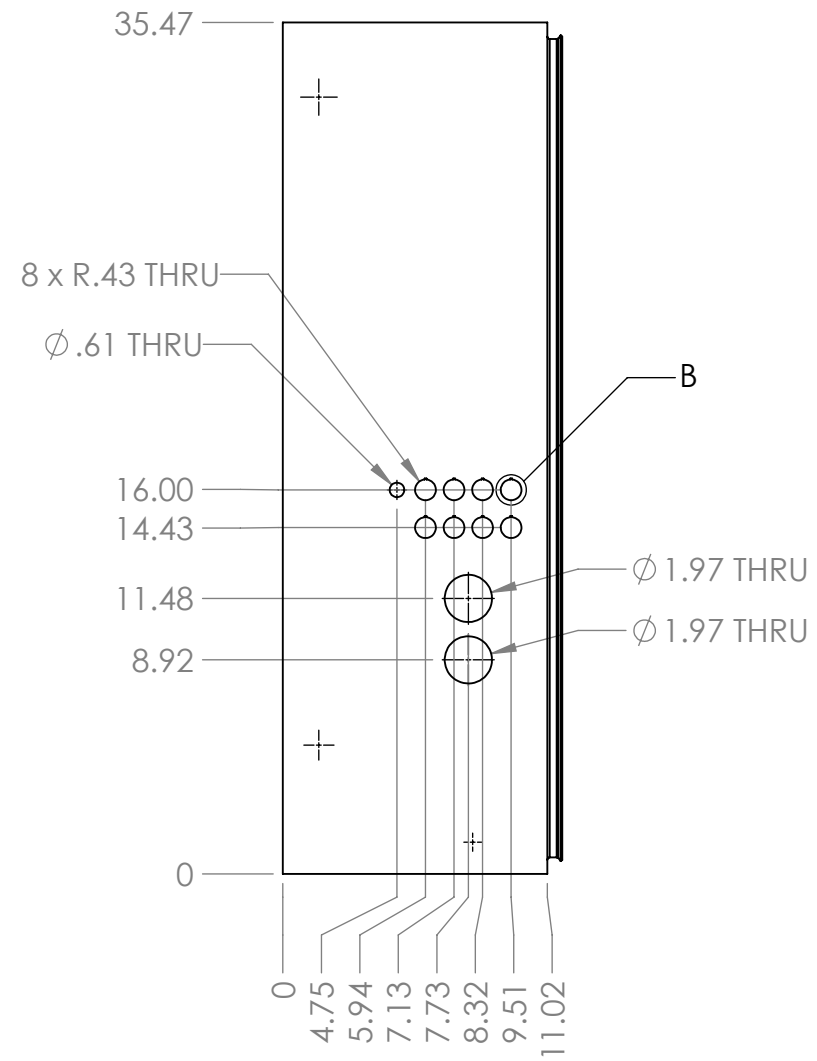


REVISION HISTORY

A	INITIAL RELEASE	J.M.	2021-05-27
---	-----------------	------	------------



<p>PROPRIETARY AND CONFIDENTIAL</p> <p>THE INFORMATION CONTAINED IN THIS DRAWING IS THE SOLE PROPERTY OF READY ROBOTICS. ANY REPRODUCTION IN PART OR AS A WHOLE WITHOUT THE WRITTEN PERMISSION OF READY ROBOTICS IS PROHIBITED.</p>	<p>NOTE ON DIMENSIONS:</p> <p>ONLY REFERENCE AND CRITICAL DIMENSIONS SHOWN. PLEASE REFER TO 3D MODEL FOR ALL OTHER DIMENSIONS. NOMINAL TOLERANCE SHOULD BE USED UNLESS OTHERWISE SPECIFIED</p>	<p>DIMENSIONS: in</p> <p>TOLERANCES: XX +/- .01 XXX +/- .005</p> <p>MATERIAL:</p> <p>FINISH:</p>	NAME	DATE		
			DRAWN	Miller		2021-05-27
			ENG APPR.			
			<p>COMMENTS</p> <p>Refer to file</p> <p>_8017.579_01_00_WM(1)^8017.579(1)_R- for geometry</p>			
			PART NO.	R-600024		
			DESCRIPTION	Rittal Housing Cutouts		
			REV	RA		
			SHEET 1 OF 1		SHEET SIZE: B	