

6

5

4

3

2

1

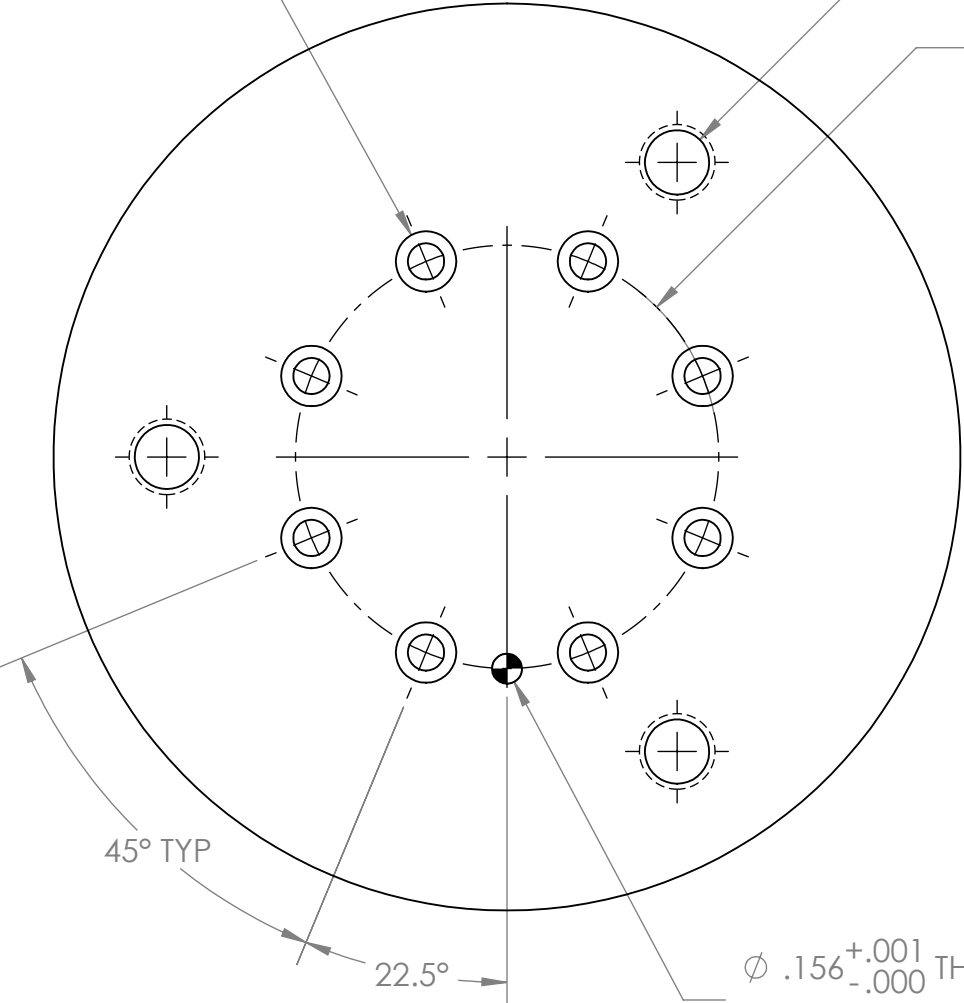
D

D

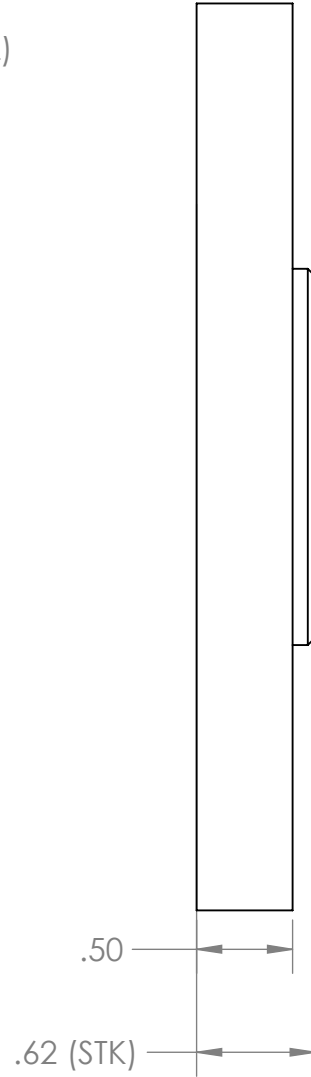
8X ϕ .189 THRU ALL
 \square ϕ .31 ∇ .16

3X ϕ .335 THRU ALL
M10X1.5 - 6H THRU ALL

ϕ 2.205 B.C. (9 PL)



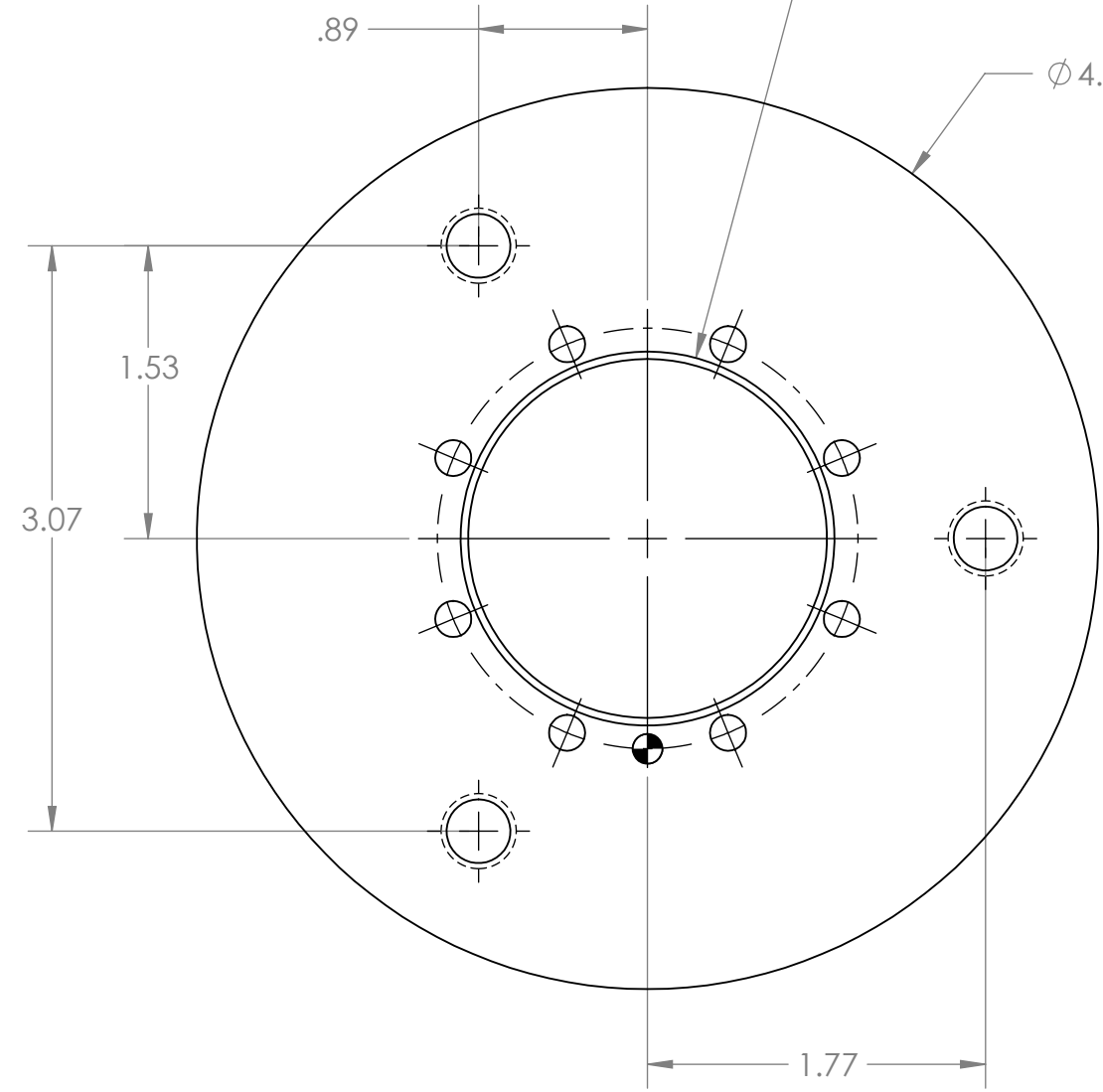
ϕ .156^{+.001}_{-.000} THRU ALL
M4 PRESS FIT, REAM



.89

ϕ 1.960^{+.003}_{-.003}

ϕ 4.72



.50

.62 (STK)

B

B

C

C

A

A

6

5

4

3

2

1

PROPRIETARY AND CONFIDENTIAL THE INFORMATION CONTAINED IN THIS DRAWING IS THE SOLE PROPERTY OF READY ROBOTICS. ANY REPRODUCTION IN PART OR AS A WHOLE WITHOUT THE WRITTEN PERMISSION OF READY ROBOTICS IS PROHIBITED.	NOTE ON DIMENSIONS: ONLY REFERENCE AND CRITICAL DIMENSIONS SHOWN. PLEASE REFER TO 3D MODEL FOR ALL OTHER DIMENSIONS. NOMINAL TOLERANCE SHOULD BE USED UNLESS OTHERWISE SPECIFIED	DIMENSIONS: Inches TOLERANCES: .XX +/- .01 .XXX +/- .005 MATERIAL: 6061 ALUMINUM FINISH: MACHINE	NAME	DATE	
			DRAWN	2020-12-16	
			ENG APPR.		
			COMMENTS Refer to file R-301473 - AFD310-2 Adapter Plate, GP12 for all geometry		
		PART NO.	R-301473		REV
		DESCRIPTION	R-301473 - AFD310-2 Adapter Plate, GP12		A
		SCALE: 1:2	VOLUME:	SHEET 1 OF 1	SHEET SIZE: B