
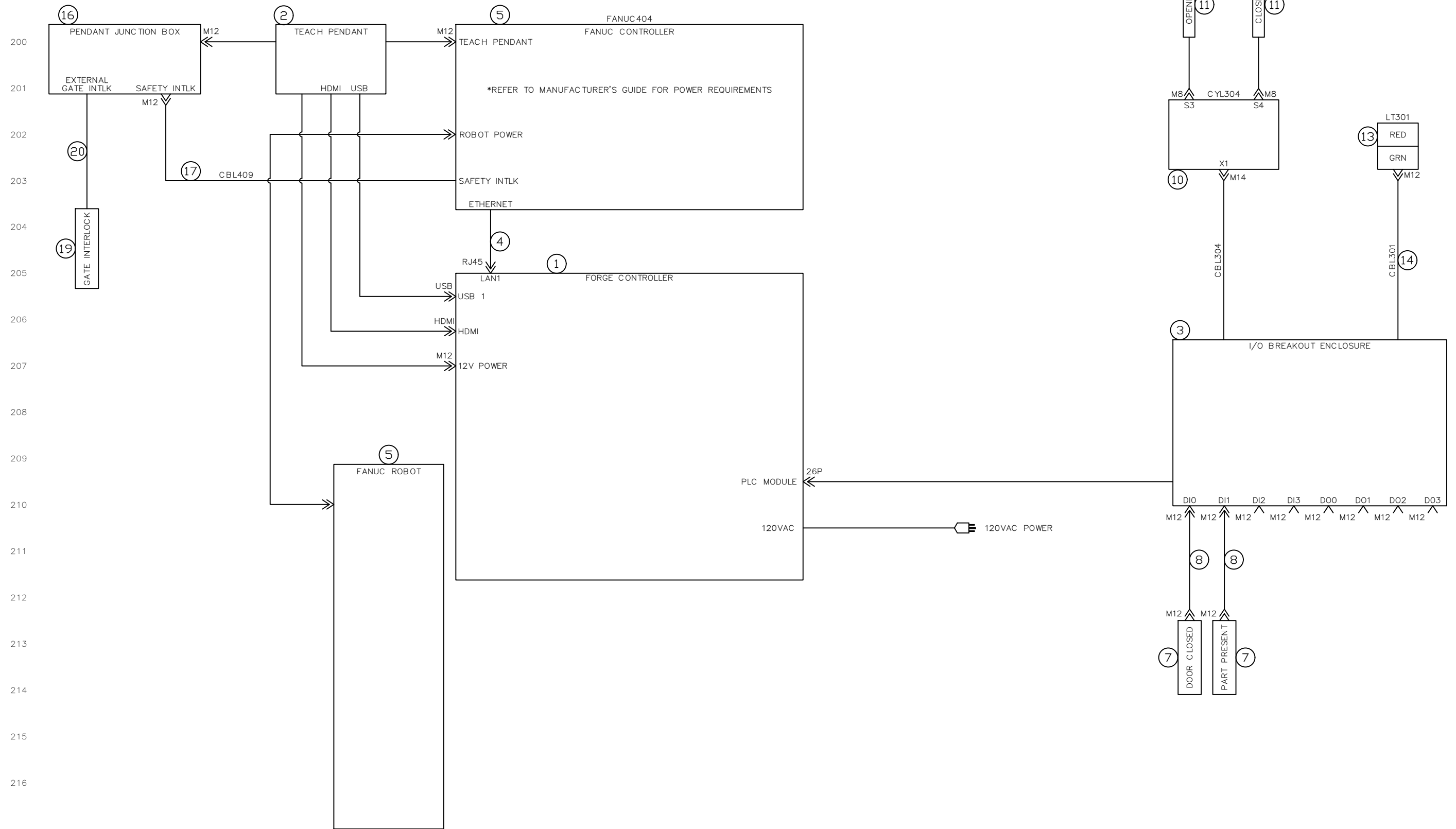


ELECTRICAL DRAWING LIST	
SHEET	DESCRIPTION
R-101225-E01-01	TITLE SHEET
R-101225-E01-02	SYSTEM LAYOUT
R-101225-E01-03	I/O BREAKOUT ENCLOSURE
R-101225-E01-04	R-30iB MATE PLUS ROBOT SAFETY CONNECTIONS
R-101225-E01-05	BILL OF MATERIALS


				TOLERANCES UNLESS OTHERWISE SPECIFIED INCHES MILLIMETERS .X DIM'S ±.02 X DIM'S ±0.5 .XX DIM'S ±.01 XX DIM'S ±0.3 .XXX DIM'S ±.005 X.XX DIM'S ±0.13		PARTS MUST BE: RoHS COMPLIANT AND LEAD FREE NO ROLL FORM THREADS. SURFACE FINISH: 63 BREAK ALL SHARP EDGES .015 MAX. DIMENSIONS APPLY AFTER PLATING UNLESS OTHERWISE NOTED.		PROPRIETARY AND CONFIDENTIAL: THE INFORMATION CONTAINED IN THIS DRAWING IS THE SOLE PROPERTY OF READY ROBOTICS. ANY REPRODUCTION IN PART OR AS A WHOLE WITHOUT THE WRITTEN PERMISSION OF READY ROBOTICS IS PROHIBITED.		MATERIAL		JOB NUMBER: R-101225 APPROVALS DATE DRAWN T. HAYDEN 13-JUL-2020 CHECKED APPROVED ISSUED		TITLE: TITLE SHEET TURN-KEY LATHE TENDING M-20iA & VENTION  CUSTOMER:		SIZE B DO NOT SCALE DRAWING DWG. NO. R-101225-E01 REV. - SCALE N/A REF SHEET 01 OF 05	
REV. LTR.	REVISION DESCRIPTION	DRAWN BY	DATE	APPROVED BY	FRACTIONS ±1/64" ANGULAR DIM'S ±1° FLATNESS & PERPENDICULARITY .001" OVER 6", .002" OVER 12", .005" 12" AND OVER	NOTE: UNTOLERANCED DIMENSIONS REFERENCING TRUE POSITIONS ARE BASIC		PARTS MUST BE FREE OF IRREGULARITIES PRIOR TO ANY SURFACE FINISH		FINISH							

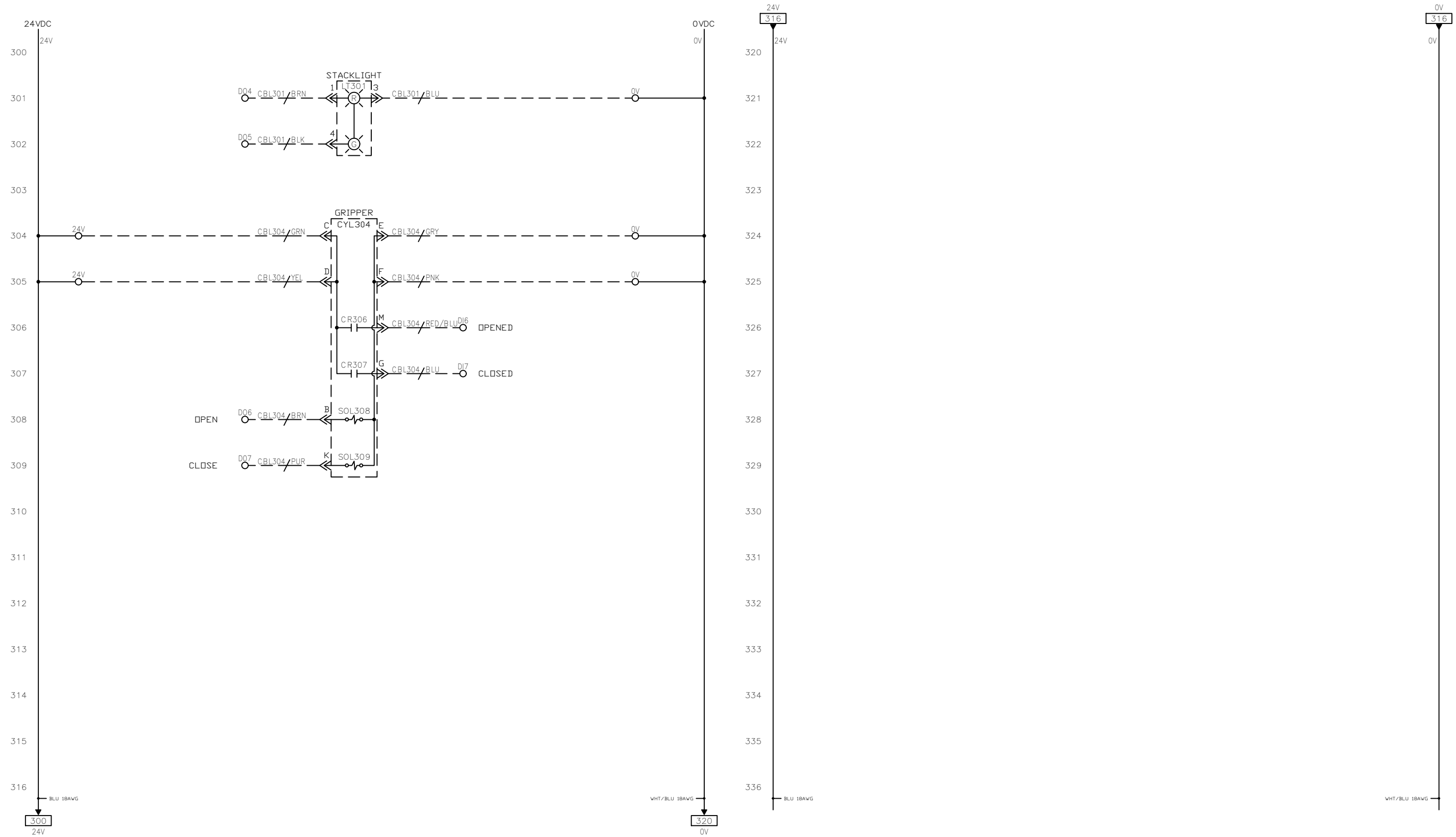


200
201
202
203
204
205
206
207
208
209
210
211
212
213
214
215
216

NOTE: SEE SHEET 03 FOR DETAILED I/O BREAKOUT ENCLOSURE WIRE CONNECTIONS


SYSTEM LAYOUT

 READY Robotics 1080 Steelwood Rd. Columbus, OH 43212	SIZE	DWG. NO.	REV
	B	R-101225-E01	-
DRAWN T. HAYDEN	DO NOT SCALE DRAWING		
ISSUED	SCALE N/A	SHEET 02 OF 05	

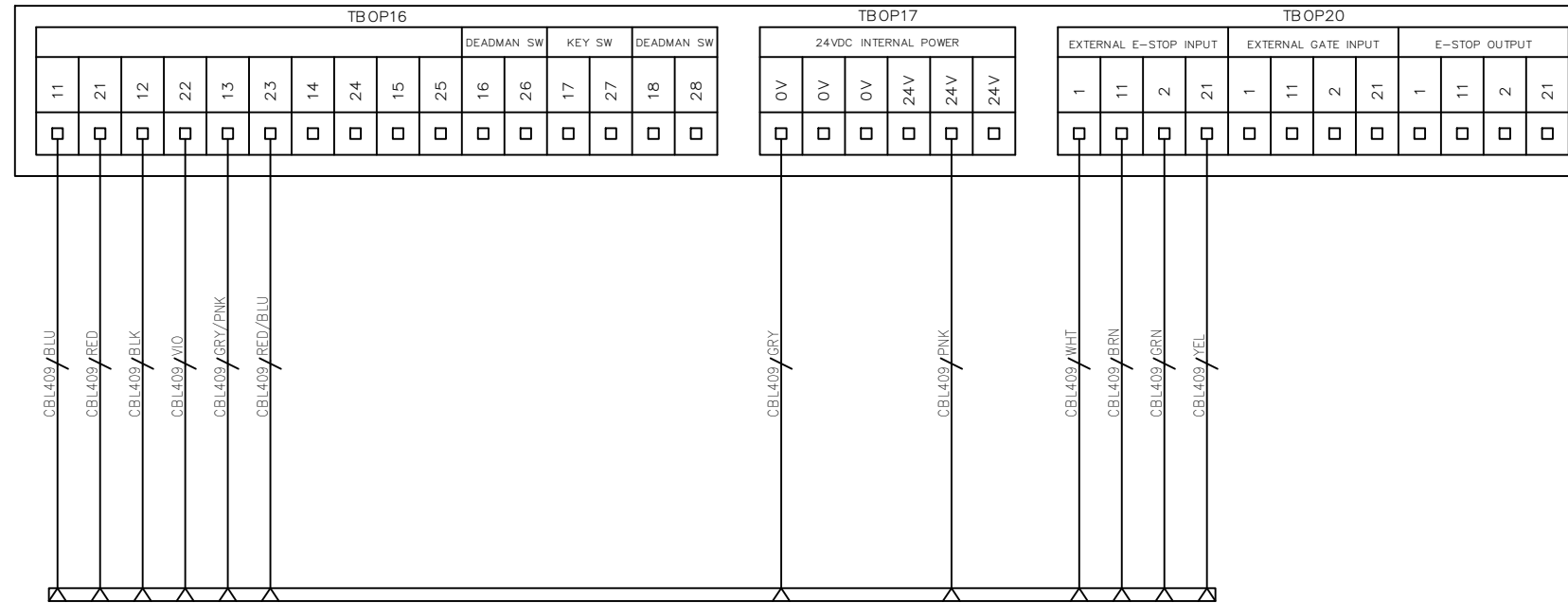


NOTE: ALL 24VDC WIRES ARE BLU 18AWG AND ALL 0VDC WIRES ARE WHT/BLU 18AWG UNLESS OTHERWISE STATED

I/O BREAKOUT ENCLOSURE


 READY Robotics 1080 Steelwood Rd. Columbus, OH 43212	SIZE	DO NOT SCALE DRAWING	DWG. NO.	REV
	B		R-101225-E01	-
DRAWN T. HAYDEN	ISSUED	SCALE N/A	SHEET 03 OF 05	

FANUC 404




400
401
402
403
404
405
406
407
408
409
410
411
412
413
414
415
416
417
418
419
420
421
422
423
424
425
426
427

R-30iB MATE PLUS ROBOT SAFETY CONNECTIONS

	READY Robotics 1080 Steelwood Rd. Columbus, OH 43212	SIZE B	DO NOT SCALE DRAWING	DWG. NO. R-101225-E01	REV -
	DRAWN T. HAYDEN	ISSUED	SCALE N/A	SHEET 04 OF 05	

BILL OF MATERIALS			
ITEM	QTY	DESCRIPTION	PART NUMBER
1	1	CONTROLLER, FORGE, 120VAC, 16DIO	READY ROBOTICS R-100144
2	1	PENDANT, FORGE	READY ROBOTICS R-101078
3	1	EXPANSION, BREAKOUT, BOARD, I/O, 24VDC	READY ROBOTICS R-101080
4	1	CABLE, CORDSET, RJ45, 5M	TURCK RJ45S-RJ45S 441-5M
5	1	ROBOT, KIT, CONTROLLER, 1811MM, 20KG	FANUC M-20iA
6			
7	2	SENSOR, DIFFUSED, 12MM, 24VDC, PNP	BALLUFF BOS01WP
8	2	CABLE, CORDSET, M12, 5 PIN, 5M	BALLUFF BCC09H3
9			
10	1	PNEUMATIC, VALVE BLOCK, 4 PORT	SCHUNK 0310072
11	2	SWITCH, REED, M8, 24VDC, PNP	SCHUNK MMS 22-S-M8-PNP
12			
13	1	LIGHT, STACK, M12, 24VDC, GRN - RED	BANNER TL50GRQ
14	1	CABLE, PATCHCORD, M12, 4 PIN, FEMALE, 9M	BANNER MQDC-430
15			
16	1	PENDANT JUNCTION BOX	READY ROBOTICS R-101084
17	1	CABLE, PATCHCORD, M12, 12 PIN, FEMALE, 5M	PHOENIX CONTACT 1554872
18			
19	1	SWITCH, SAFETY, GATE INTERLOCK	SIEMENS 3SE5 312 1SG11
20	33'	CABLE, PATCHCORD, 18C, 24AWG, O.D. 10.41MM	IGUS CF130-02-018-UL

BILL OF MATERIALS

	READY Robotics 1080 Steelwood Rd. Columbus, OH 43212	SIZE	DO NOT SCALE DRAWING	DWG. NO.	REV
	DRAWN T. HAYDEN	B		R-101225-E01	-
ISSUED	SCALE N/A	SHEET 05 OF 05			