

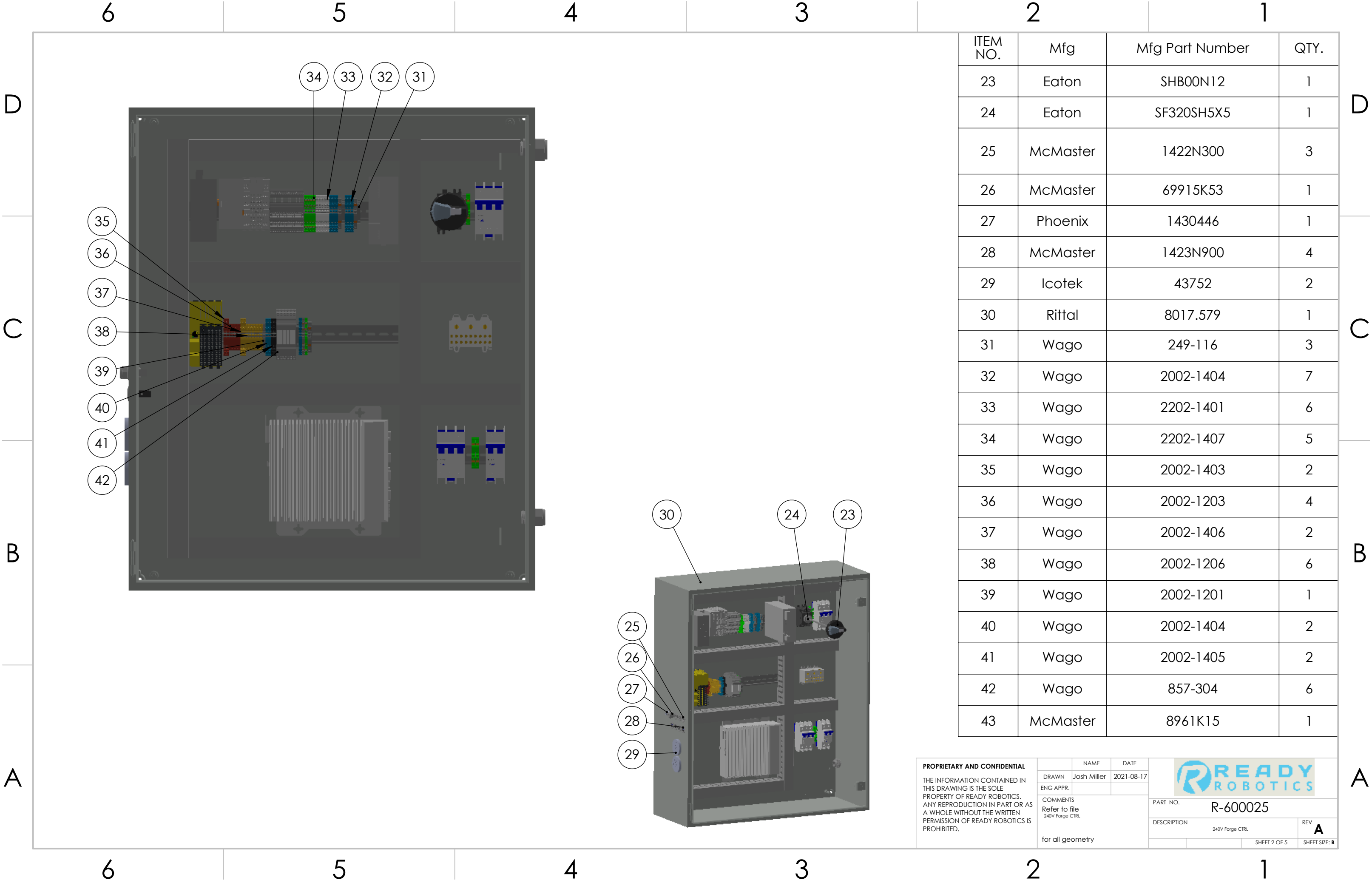
ITEM NO.	Mfg	Mfg Part Number	QTY.
1	McMaster	7578K263	2
2	McMaster	8961K15	1
3	Wago	787-1632	1
4	Wago	852-1112	1
5	Wago	750-362	1
6	Wago	750-602	1
7	Wago	750-1405	1
8	Wago	750-1504	1
9	Wago	750-600	1
10	Wago	2000-5311	9
11	Wago	2000-402	16
12	Teguar	TB-5545-MVS	1
13	Eaton	R5A3016U	1
14	Altech	UL489 (3-pole)	2
15	Altech	38075	1
16	Altech	UL489 (2-pole)	1
17	Wago	2206-1207	3
18	Wago	2206-1201	4
19	McMaster	69915K72	1
20	McMaster	69915K55	1
21	Sick	1085351	1
22	Sick	1085354	1

PROPRIETARY AND CONFIDENTIAL
 THE INFORMATION CONTAINED IN THIS DRAWING IS THE SOLE PROPERTY OF READY ROBOTICS. ANY REPRODUCTION IN PART OR AS A WHOLE WITHOUT THE WRITTEN PERMISSION OF READY ROBOTICS IS PROHIBITED.

NAME	DATE
Josh Miller	2021-08-17
ENG APPR.	
COMMENTS	
Refer to file 240V Forge CTRL	
for all geometry	

READY ROBOTICS

PART NO.	R-600025
DESCRIPTION	240V Forge CTRL
REV	A
SHEET 1 OF 5	SHEET SIZE: B



ITEM NO.	Mfg	Mfg Part Number	QTY.
23	Eaton	SHB00N12	1
24	Eaton	SF320SH5X5	1
25	McMaster	1422N300	3
26	McMaster	69915K53	1
27	Phoenix	1430446	1
28	McMaster	1423N900	4
29	Icotek	43752	2
30	Rittal	8017.579	1
31	Wago	249-116	3
32	Wago	2002-1404	7
33	Wago	2202-1401	6
34	Wago	2202-1407	5
35	Wago	2002-1403	2
36	Wago	2002-1203	4
37	Wago	2002-1406	2
38	Wago	2002-1206	6
39	Wago	2002-1201	1
40	Wago	2002-1404	2
41	Wago	2002-1405	2
42	Wago	857-304	6
43	McMaster	8961K15	1

PROPRIETARY AND CONFIDENTIAL
 THE INFORMATION CONTAINED IN THIS DRAWING IS THE SOLE PROPERTY OF READY ROBOTICS. ANY REPRODUCTION IN PART OR AS A WHOLE WITHOUT THE WRITTEN PERMISSION OF READY ROBOTICS IS PROHIBITED.

NAME	DATE
DRAWN Josh Miller	2021-08-17
ENG APPR.	
COMMENTS	
Refer to file 240V Forge CTRL	
for all geometry	

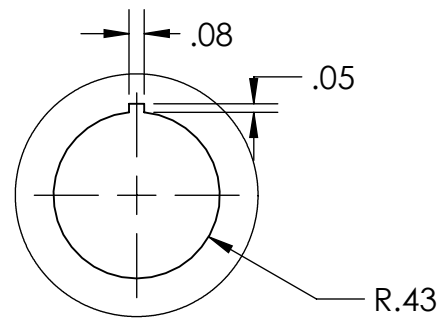
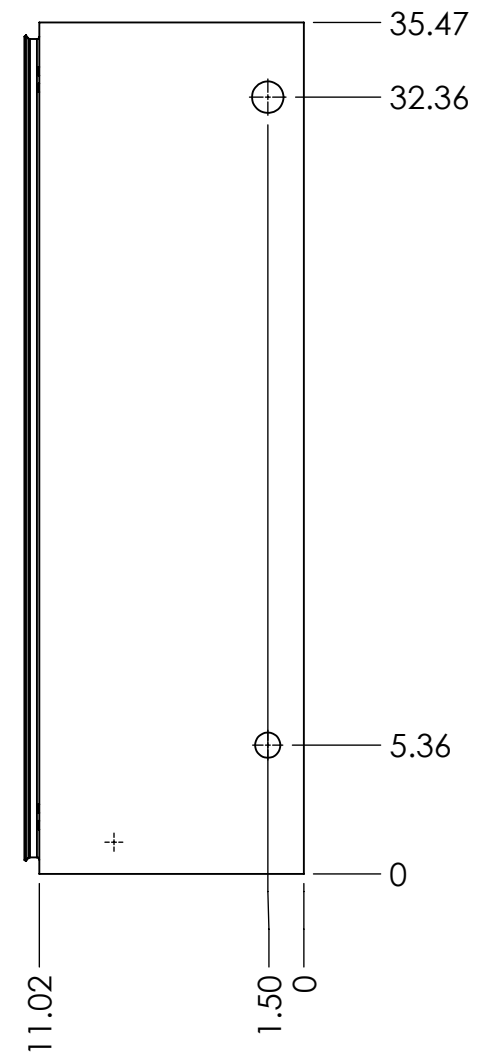
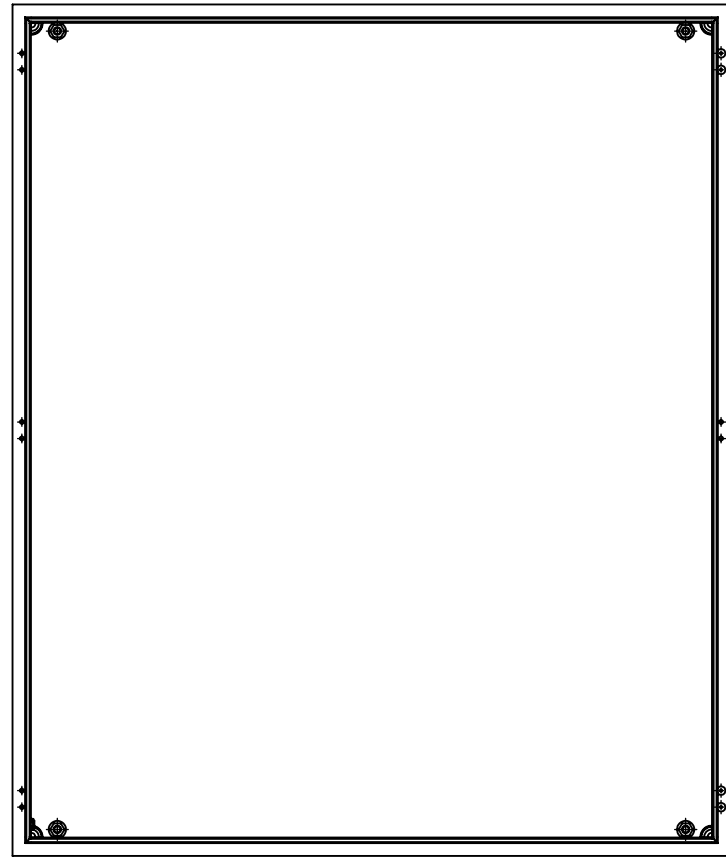
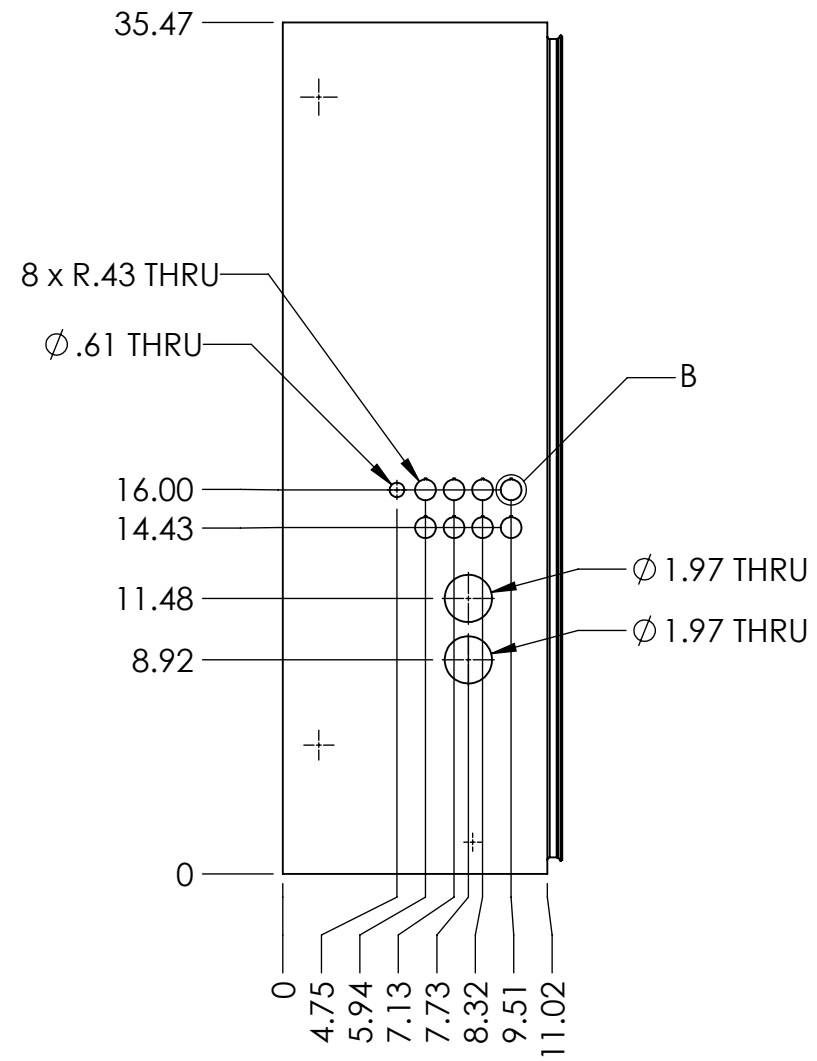
READY ROBOTICS

PART NO.	R-600025
DESCRIPTION	240V Forge CTRL
REV	A

SHEET 2 OF 5 SHEET SIZE: B

REVISION HISTORY

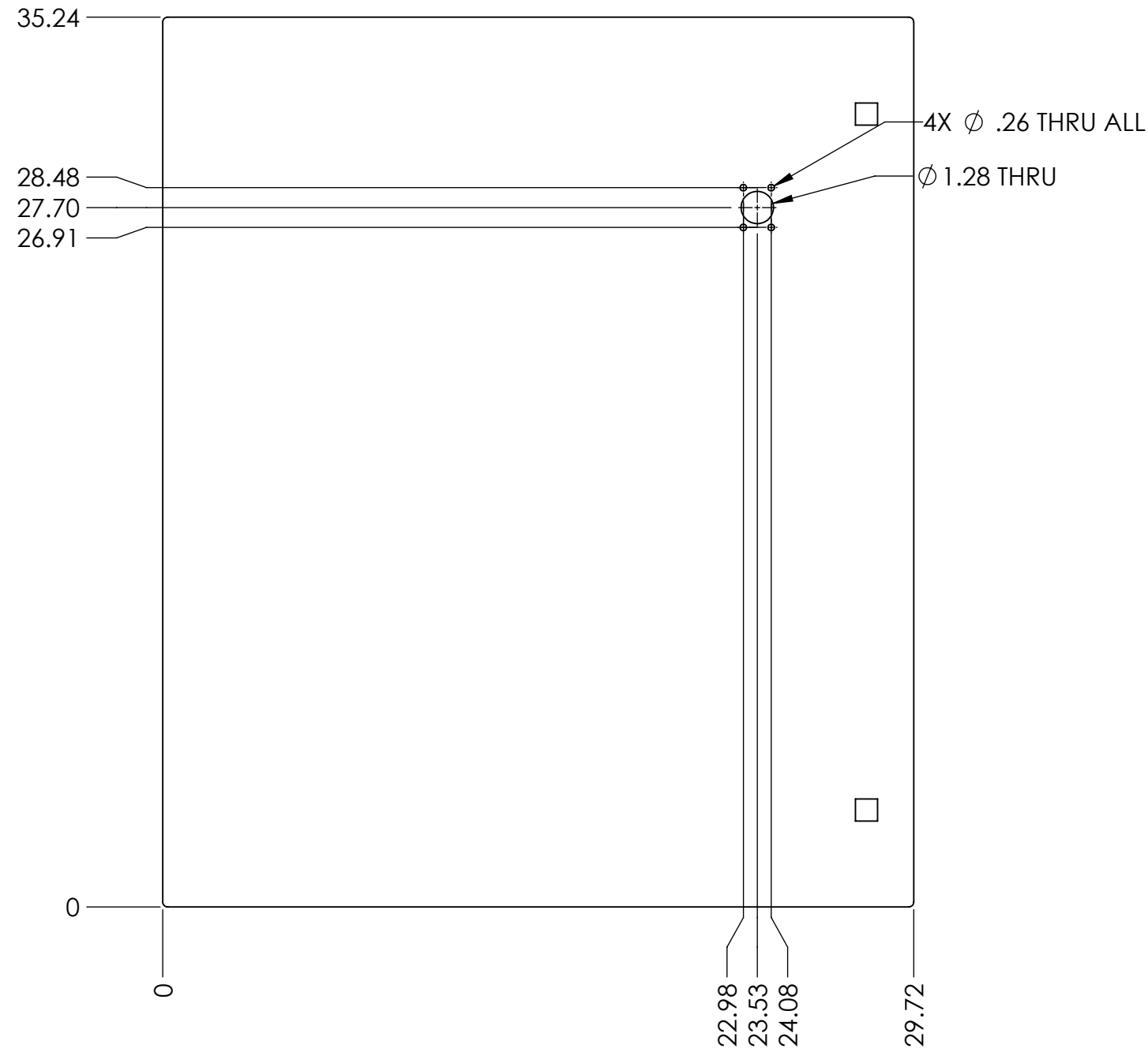
A	INITIAL RELEASE	J.M.	2021-08-17
---	-----------------	------	------------




<p>PROPRIETARY AND CONFIDENTIAL</p> <p>THE INFORMATION CONTAINED IN THIS DRAWING IS THE SOLE PROPERTY OF READY ROBOTICS. ANY REPRODUCTION IN PART OR AS A WHOLE WITHOUT THE WRITTEN PERMISSION OF READY ROBOTICS IS PROHIBITED.</p>	<p>NOTE ON DIMENSIONS:</p> <p>ONLY REFERENCE AND CRITICAL DIMENSIONS SHOWN. PLEASE REFER TO 3D MODEL FOR ALL OTHER DIMENSIONS. NOMINAL TOLERANCE SHOULD BE USED UNLESS OTHERWISE SPECIFIED</p>	<p>DIMENSIONS: in</p> <p>TOLERANCES: XX +/- .01 XXX +/- .005</p> <p>MATERIAL:</p> <p>FINISH:</p>	NAME	DATE	
			DRAWN	2021-08-17	
			ENG APPR.		
			<p>COMMENTS</p> <p>Refer to file R-600025</p> <p>for all geometry</p>		
			PART NO.	R-600025	<p>DESCRIPTION</p> <p>240V Forge CTRL</p>
			REV	A	
			SHEET 3 OF 5		SHEET SIZE: B

REVISION HISTORY

A	INITIAL RELEASE	J.M.	2021-08-17
---	-----------------	------	------------



<p>PROPRIETARY AND CONFIDENTIAL</p> <p>THE INFORMATION CONTAINED IN THIS DRAWING IS THE SOLE PROPERTY OF READY ROBOTICS. ANY REPRODUCTION IN PART OR AS A WHOLE WITHOUT THE WRITTEN PERMISSION OF READY ROBOTICS IS PROHIBITED.</p>	<p>NOTE ON DIMENSIONS:</p> <p>ONLY REFERENCE AND CRITICAL DIMENSIONS SHOWN. PLEASE REFER TO 3D MODEL FOR ALL OTHER DIMENSIONS. NOMINAL TOLERANCE SHOULD BE USED UNLESS OTHERWISE SPECIFIED</p>	<p>DIMENSIONS: in</p> <p>TOLERANCES: XX +/- .01 XXX +/- .005</p> <p>MATERIAL:</p> <p>FINISH:</p>	NAME	DATE	
			DRAWN	2021-08-17	
			ENG APPR.		
			<p>COMMENTS</p> <p>Refer to file R-600025</p> <p>for all geometry</p>		
			PART NO. R-600025		REV A
			DESCRIPTION 240V Forge CTRL		
			SHEET 4 OF 5		SHEET SIZE: B

REVISION HISTORY

A	INITIAL RELEASE	J.M.	2021-08-17
----------	-----------------	------	------------

16X ϕ .13 THRU ALL
M4X0.7 - 6H THRU ALL

15X ϕ .13 THRU ALL
M4X0.7 - 6H THRU ALL

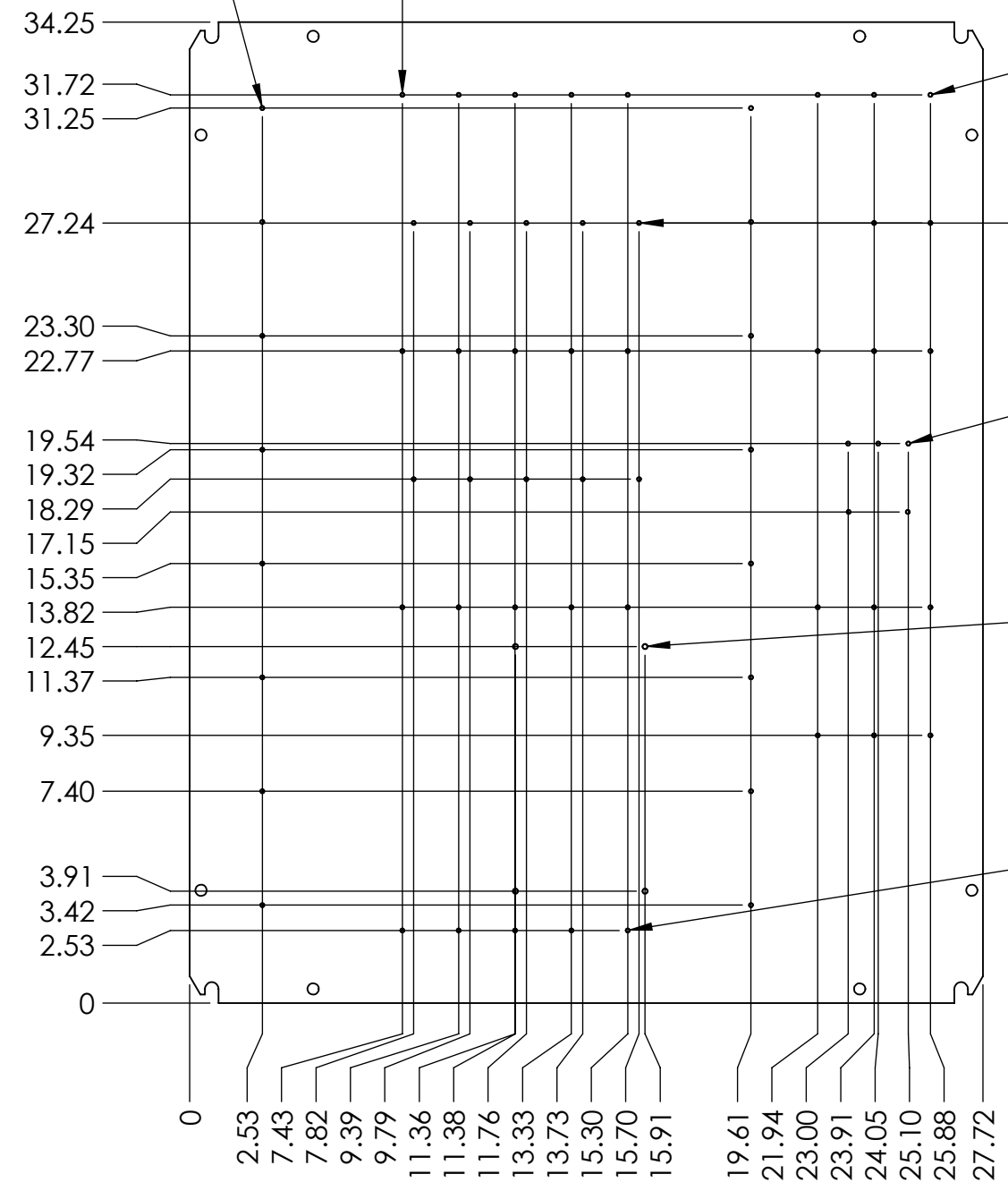
14X ϕ .13 THRU ALL
M4X0.7 - 6H THRU ALL


10X ϕ .13 THRU ALL
M4X0.7 - 6H THRU ALL

5X ϕ .13 THRU ALL
M4X0.7 - 6H THRU ALL

4X ϕ .17 THRU ALL
M5X0.8 - 6H THRU ALL

5X ϕ .13 THRU ALL
M4X0.7 - 6H THRU ALL



<p>PROPRIETARY AND CONFIDENTIAL</p> <p>THE INFORMATION CONTAINED IN THIS DRAWING IS THE SOLE PROPERTY OF READY ROBOTICS. ANY REPRODUCTION IN PART OR AS A WHOLE WITHOUT THE WRITTEN PERMISSION OF READY ROBOTICS IS PROHIBITED.</p>	<p>NOTE ON DIMENSIONS:</p> <p>ONLY REFERENCE AND CRITICAL DIMENSIONS SHOWN. PLEASE REFER TO 3D MODEL FOR ALL OTHER DIMENSIONS. NOMINAL TOLERANCE SHOULD BE USED UNLESS OTHERWISE SPECIFIED</p>	<p>DIMENSIONS: in</p> <p>TOLERANCES: XX +/- .01 XXX +/- .005</p> <p>MATERIAL:</p> <p>FINISH:</p>	NAME	DATE	
			DRAWN	2021-08-17	
			ENG APPR.		
			<p>COMMENTS</p> <p>Refer to file R-600025</p> <p>for all geometry</p>		
			PART NO.	R-600025	<p>REV A</p>
			DESCRIPTION	240V Forge CTRL	
			SHEET 5 OF 5		SHEET SIZE: B