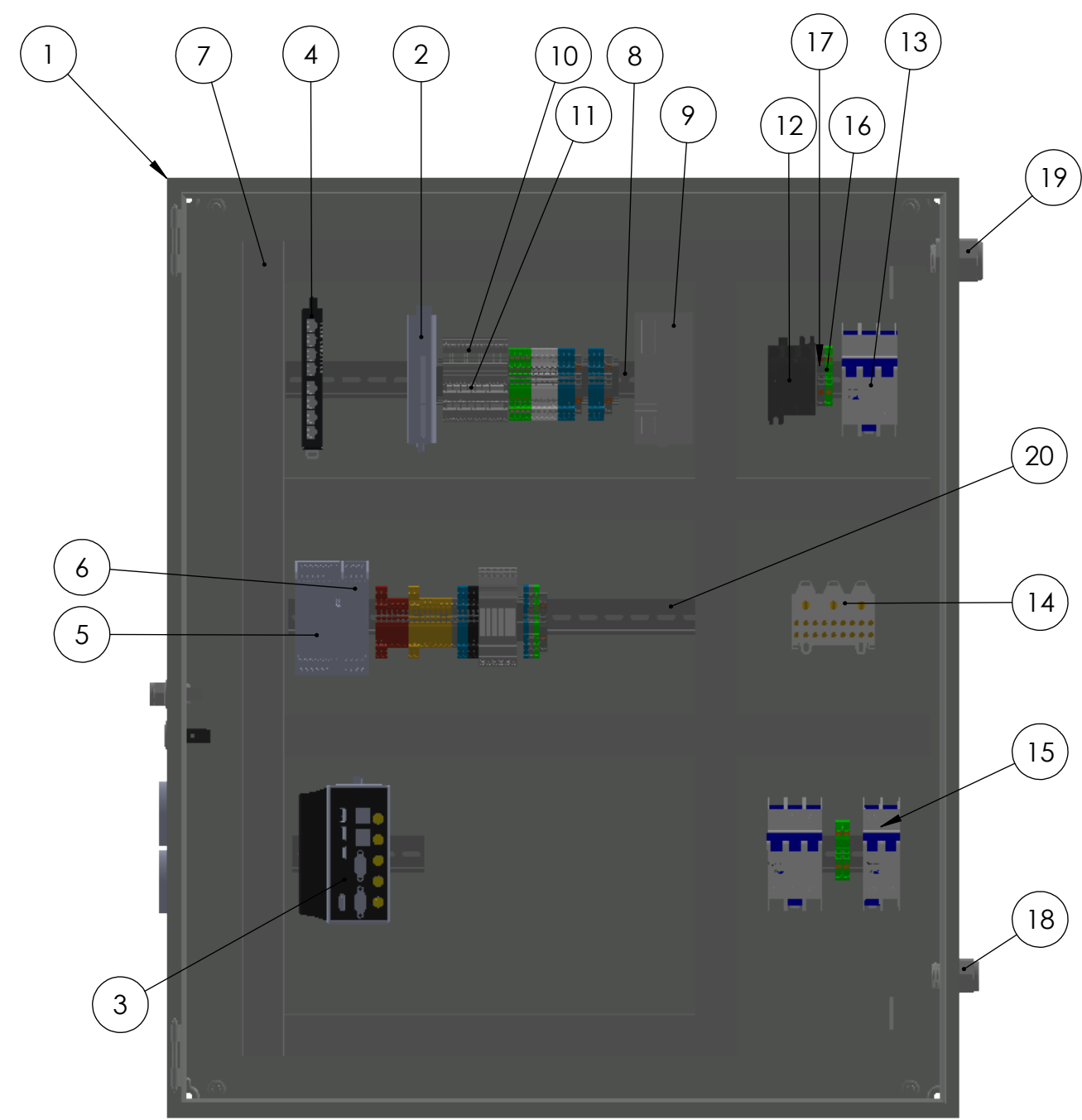


| ITEM NO. | Mfg      | Mfg Part Number |    |
|----------|----------|-----------------|----|
| 1        | Rittal   | 8017.579        | 1  |
| 2        | Moxa     | ioLogik-E1200   | 1  |
| 3        | Moxa     | MC-1200         | 1  |
| 4        | Moxa     | SDS-3008        | 1  |
| 5        | Banner   | 85061           | 1  |
| 6        | Banner   | 85075           | 1  |
| 7        | McMaster | 7578K263        | 2  |
| 8        | McMaster | 8961K15         | 1  |
| 9        | Wago     | 787-1632        | 1  |
| 10       | Wago     | 2000-5311       | 9  |
| 11       | Wago     | 2000-402        | 16 |
| 12       | Eaton    | R5A3016U        | 1  |
| 13       | Altech   | UL489 (3-pole)  | 2  |
| 14       | Altech   | 38075           | 1  |
| 15       | Altech   | UL489 (2-pole)  | 1  |
| 16       | Wago     | 2206-1207       | 3  |
| 17       | Wago     | 2206-1201       | 4  |
| 18       | McMaster | 69915K55        | 1  |
| 19       | McMaster | 69915K72        | 1  |
| 20       | McMaster | 8961K15         | 1  |



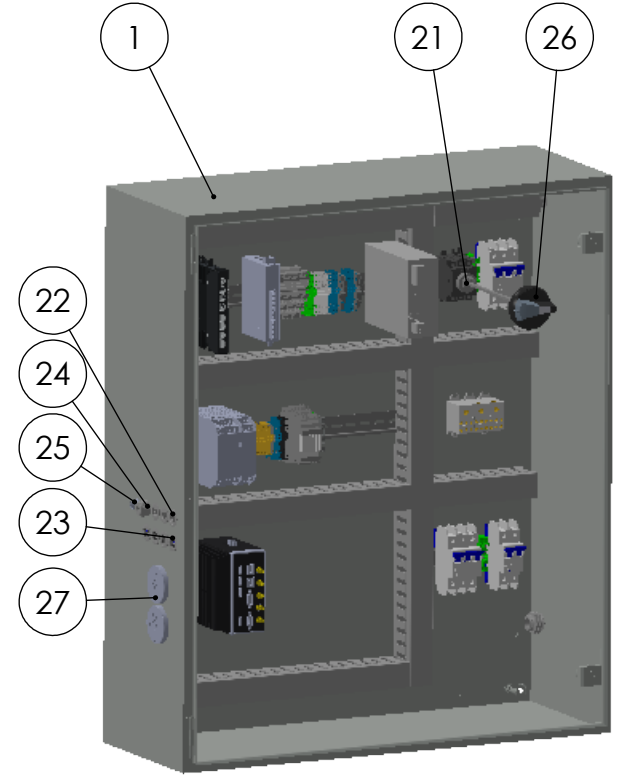
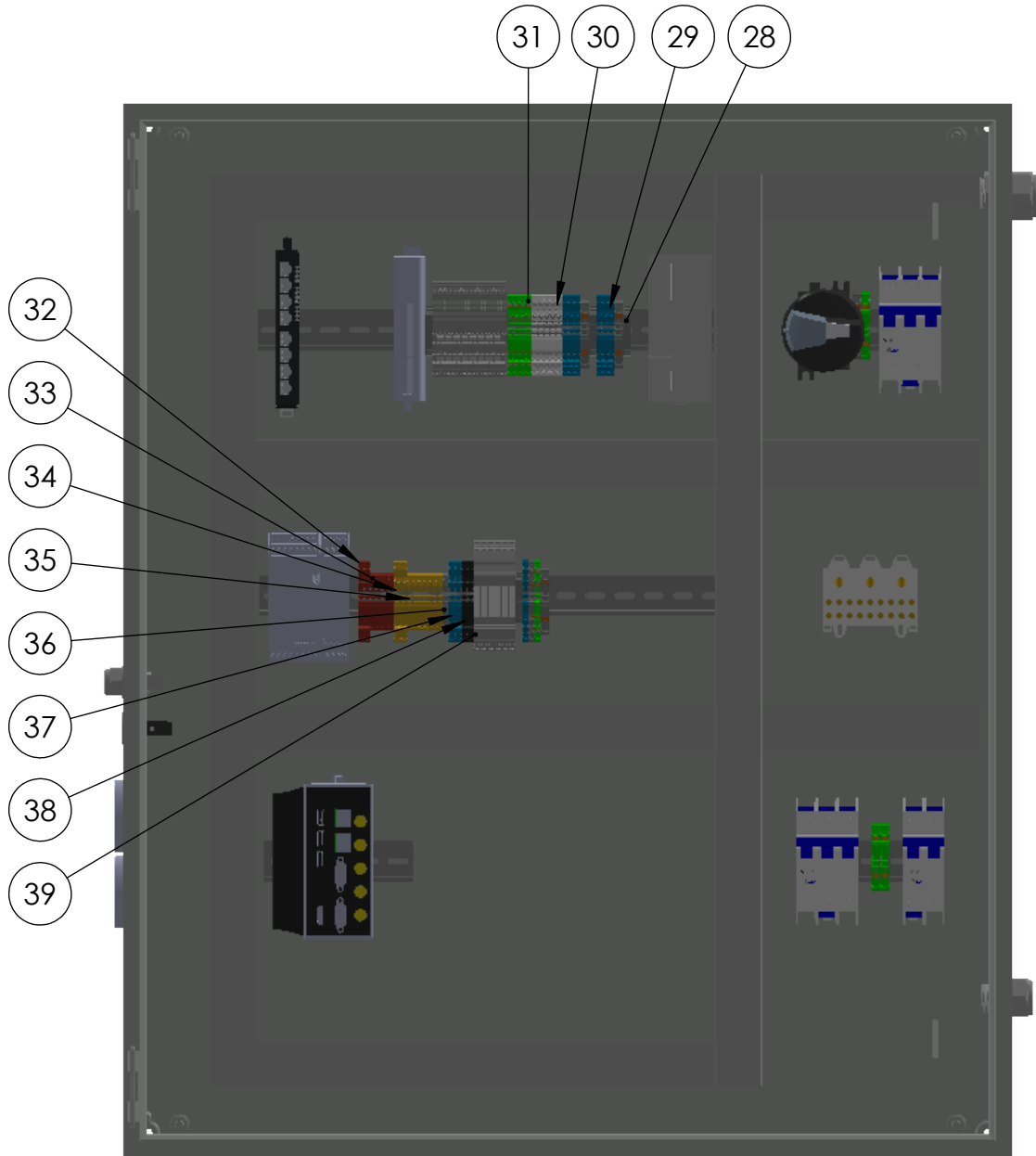
**PROPRIETARY AND CONFIDENTIAL**  
 THE INFORMATION CONTAINED IN THIS DRAWING IS THE SOLE PROPERTY OF READY ROBOTICS. ANY REPRODUCTION IN PART OR AS A WHOLE WITHOUT THE WRITTEN PERMISSION OF READY ROBOTICS IS PROHIBITED.

|                               |            |
|-------------------------------|------------|
| NAME                          | DATE       |
| DRAWN Josh Miller             | 2021-09-13 |
| ENG APPR.                     |            |
| COMMENTS                      |            |
| Refer to file 240V Forge Ctrl |            |
| for all geometry              |            |

**READY ROBOTICS**

|              |                 |
|--------------|-----------------|
| PART NO.     | R-600025        |
| DESCRIPTION  | 240V Forge Ctrl |
| REV          | <b>A</b>        |
| SHEET 1 OF 5 | SHEET SIZE: B   |

| ITEM NO. | Mfg      | Mfg Part Number |   |
|----------|----------|-----------------|---|
| 21       | Eaton    | SF320SH5X5      | 1 |
| 22       | McMaster | 1422N300        | 3 |
| 23       | McMaster | 1423N900        | 4 |
| 24       | McMaster | 69915K53        | 1 |
| 25       | Phoenix  | 1430446         | 1 |
| 26       | Eaton    | SHB00N12        | 1 |
| 27       | Icotek   | 43752           | 2 |
| 28       | Wago     | 249-116         | 4 |
| 29       | Wago     | 2002-1404       | 7 |
| 30       | Wago     | 2202-1401       | 6 |
| 31       | Wago     | 2202-1407       | 5 |
| 32       | Wago     | 2002-1403       | 2 |
| 33       | Wago     | 2002-1203       | 4 |
| 34       | Wago     | 2002-1406       | 2 |
| 35       | Wago     | 2002-1206       | 6 |
| 36       | Wago     | 2002-1201       | 1 |
| 37       | Wago     | 2002-1404       | 2 |
| 38       | Wago     | 2002-1405       | 2 |
| 39       | Wago     | 857-304         | 6 |



**PROPRIETARY AND CONFIDENTIAL**  
 THE INFORMATION CONTAINED IN THIS DRAWING IS THE SOLE PROPERTY OF READY ROBOTICS. ANY REPRODUCTION IN PART OR AS A WHOLE WITHOUT THE WRITTEN PERMISSION OF READY ROBOTICS IS PROHIBITED.

|                               |                             |              |
|-------------------------------|-----------------------------|--------------|
| NAME                          | DATE                        |              |
| DRAWN: Josh Miller            | 2021-09-13                  |              |
| ENG APPR.                     |                             |              |
| COMMENTS                      | PART NO. R-600025           |              |
| Refer to file 240V Forge Ctrl | DESCRIPTION 240V Forge Ctrl |              |
| for all geometry              | SHEET 2 OF 5                | REV <b>A</b> |

6 5 4 3 2 1

D

D

C

C

B

B

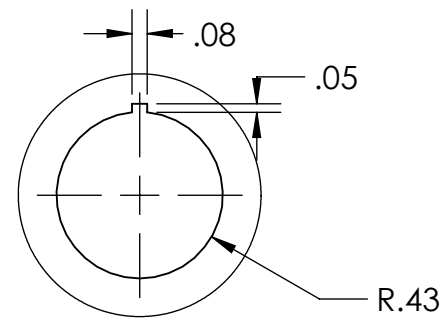
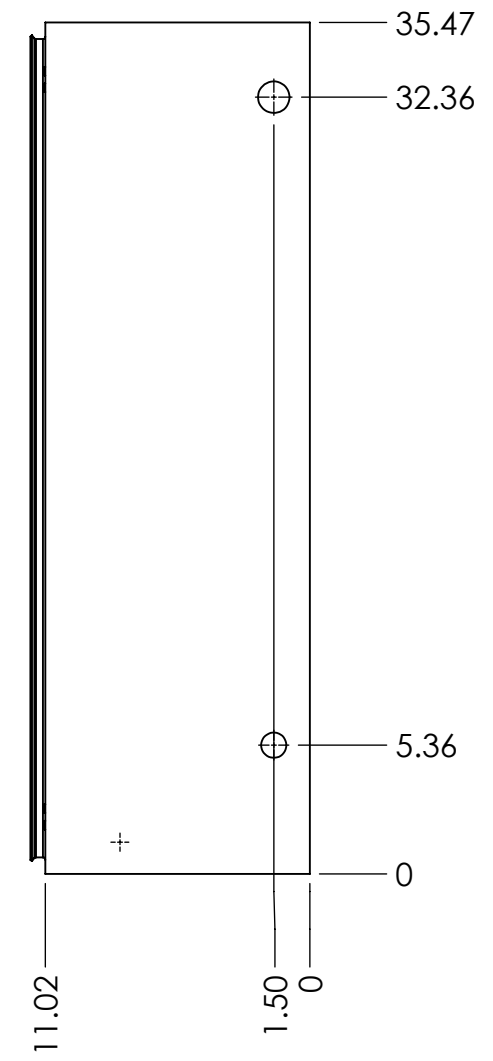
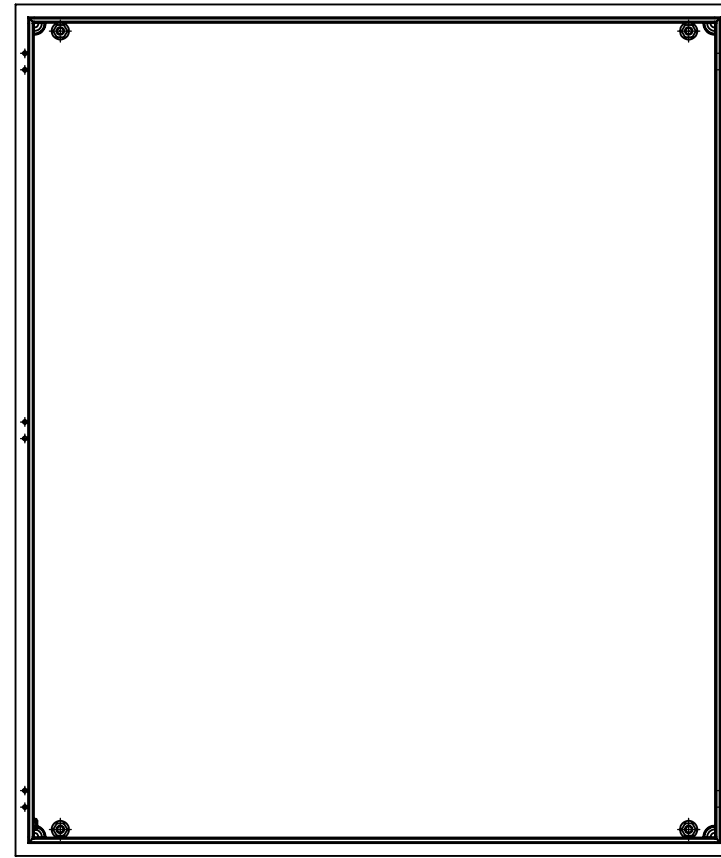
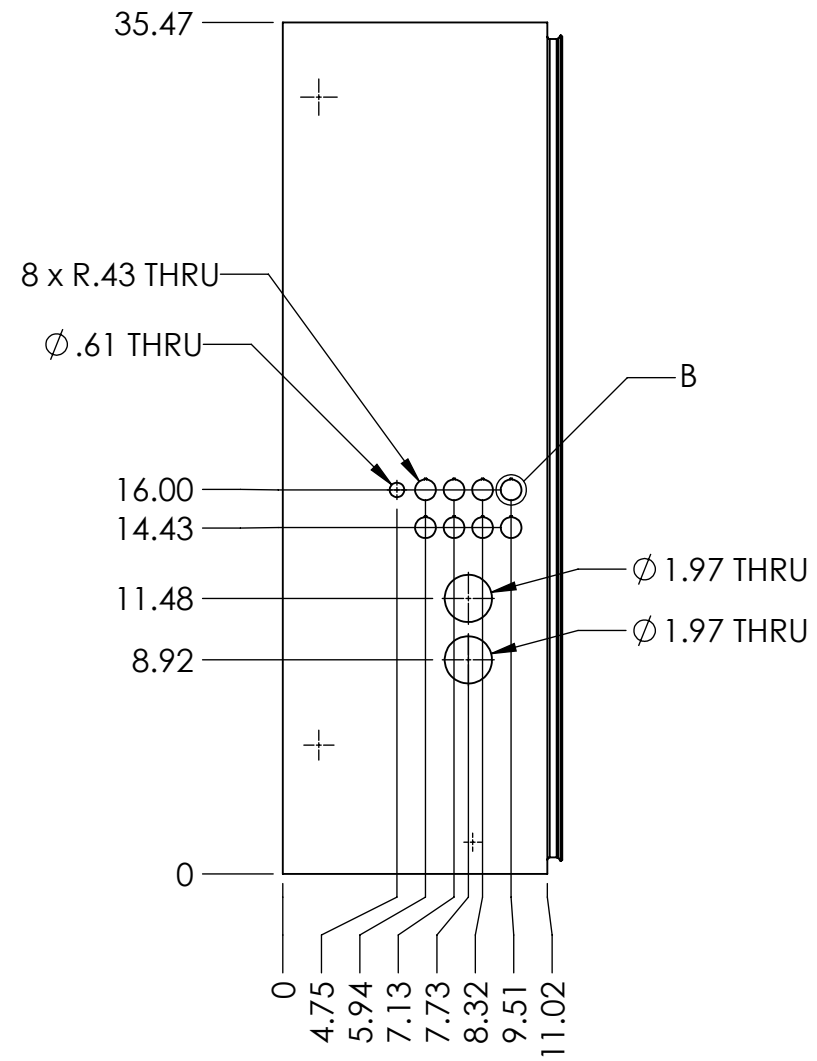
A


A

6 5 4 3 2 1

REVISION HISTORY

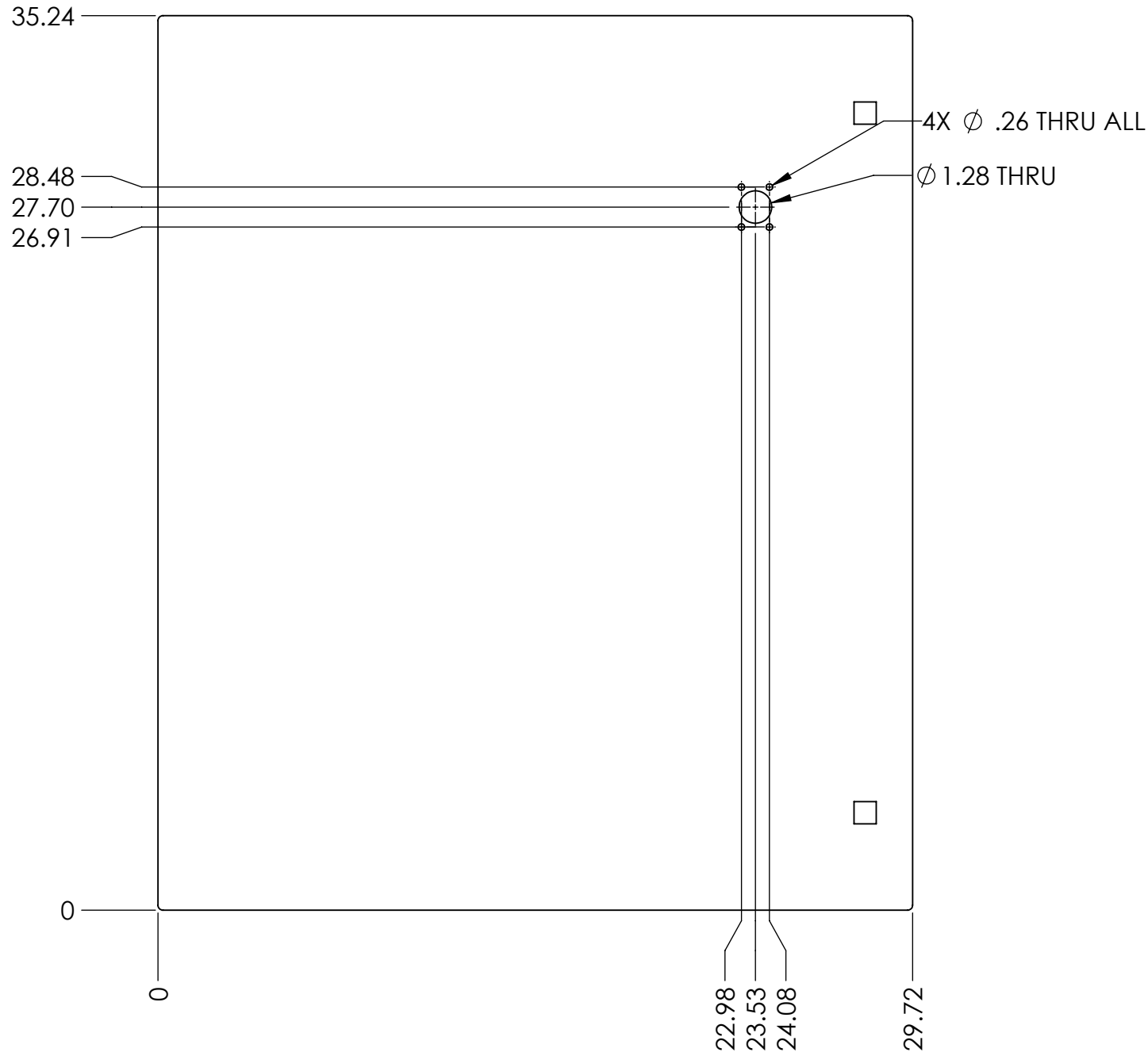
|   |                 |      |            |
|---|-----------------|------|------------|
| A | INITIAL RELEASE | J.M. | 2021-09-13 |
|---|-----------------|------|------------|




|  |   |  |   |                |   |
|--|---|--|---|----------------|---|
| <p><b>PROPRIETARY AND CONFIDENTIAL</b></p> <p>THE INFORMATION CONTAINED IN THIS DRAWING IS THE SOLE PROPERTY OF READY ROBOTICS. ANY REPRODUCTION IN PART OR AS A WHOLE WITHOUT THE WRITTEN PERMISSION OF READY ROBOTICS IS PROHIBITED.</p> | <p><b>NOTE ON DIMENSIONS:</b></p> <p>ONLY REFERENCE AND CRITICAL DIMENSIONS SHOWN. PLEASE REFER TO 3D MODEL FOR ALL OTHER DIMENSIONS. NOMINAL TOLERANCE SHOULD BE USED UNLESS OTHERWISE SPECIFIED</p> | <p><b>DIMENSIONS:</b><br/>in</p> <p><b>TOLERANCES:</b><br/>XX +/- .01<br/>XXX +/- .005</p> <p><b>MATERIAL:</b></p> <p><b>FINISH:</b></p> | NAME  | DATE           |  |
|  |   |  | DRAWN   | 2021-09-13     |   |
|  |   |  | ENG APPR.   |                |   |
|  |   |  | <p>COMMENTS</p> <p>Refer to file R-600025</p> <p>for all geometry</p> |                |   |
|  |   |  | PART NO.  | R-600025       | REV   |
|  |   |  | DESCRIPTION   | 240V Forge Ctl | A   |
|  |   |  | SHEET 3 OF 5  |                | SHEET SIZE: B   |

REVISION HISTORY

|   |                 |      |            |
|---|-----------------|------|------------|
| A | INITIAL RELEASE | J.M. | 2021-09-13 |
|---|-----------------|------|------------|



|  |   |  |   |            |   |
|--|---|--|---|------------|---|
| <p><b>PROPRIETARY AND CONFIDENTIAL</b></p> <p>THE INFORMATION CONTAINED IN THIS DRAWING IS THE SOLE PROPERTY OF READY ROBOTICS. ANY REPRODUCTION IN PART OR AS A WHOLE WITHOUT THE WRITTEN PERMISSION OF READY ROBOTICS IS PROHIBITED.</p> | <p><b>NOTE ON DIMENSIONS:</b></p> <p>ONLY REFERENCE AND CRITICAL DIMENSIONS SHOWN. PLEASE REFER TO 3D MODEL FOR ALL OTHER DIMENSIONS. NOMINAL TOLERANCE SHOULD BE USED UNLESS OTHERWISE SPECIFIED</p> | <p><b>DIMENSIONS:</b><br/>in</p> <p><b>TOLERANCES:</b><br/>XX +/- .01<br/>XXX +/- .005</p> <p><b>MATERIAL:</b></p> <p><b>FINISH:</b></p> | NAME  | DATE       |  |
|  |   |  | DRAWN   | 2021-09-13 |   |
|  |   |  | ENG APPR.   |            |   |
|  |   |  | <p>COMMENTS</p> <p>Refer to file R-600025</p> <p>for all geometry</p> |            |   |
|  |   |  | <p>PART NO. R-600025</p>  |            |   |
|  |   |  | <p>DESCRIPTION 240V Forge Ctl</p>                                     |            | <p>REV <b>A</b></p>   |
|  |   |  | <p>SHEET 4 OF 5</p>   |            | <p>SHEET SIZE: B</p>  |

6

5

4

3

2

1

D

D

C

C

B

B

A

A

6

5

4

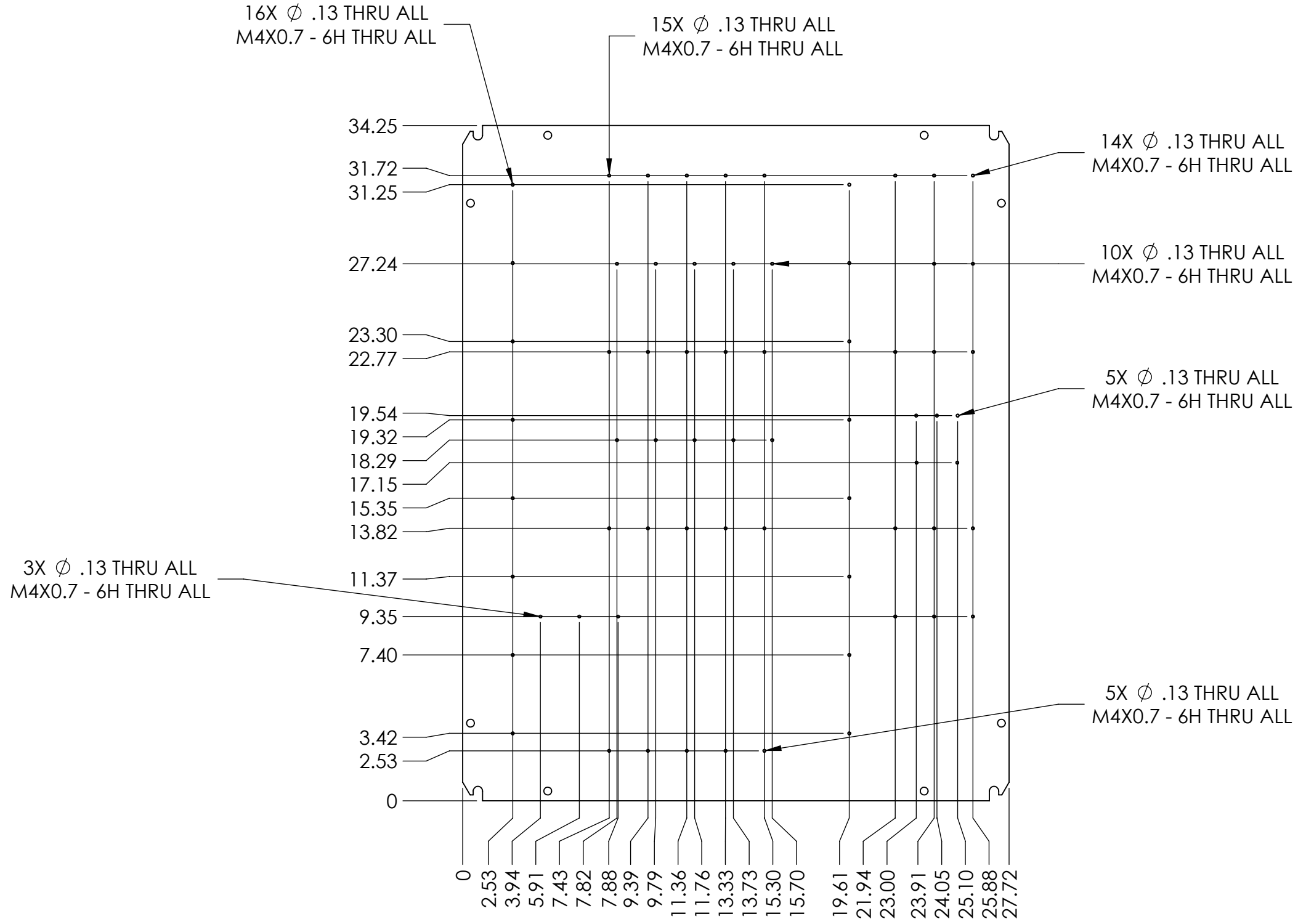
3

2

1

REVISION HISTORY

|   |                 |      |            |
|---|-----------------|------|------------|
| A | INITIAL RELEASE | J.M. | 2021-09-13 |
|---|-----------------|------|------------|



|  |   |  |  |                |                         |
|--|---|--|--|----------------|-------------------------|
| <p><b>PROPRIETARY AND CONFIDENTIAL</b></p> <p>THE INFORMATION CONTAINED IN THIS DRAWING IS THE SOLE PROPERTY OF READY ROBOTICS. ANY REPRODUCTION IN PART OR AS A WHOLE WITHOUT THE WRITTEN PERMISSION OF READY ROBOTICS IS PROHIBITED.</p> | <p><b>NOTE ON DIMENSIONS:</b></p> <p>ONLY REFERENCE AND CRITICAL DIMENSIONS SHOWN. PLEASE REFER TO 3D MODEL FOR ALL OTHER DIMENSIONS. NOMINAL TOLERANCE SHOULD BE USED UNLESS OTHERWISE SPECIFIED</p> | <p><b>DIMENSIONS:</b><br/>in</p> <p><b>TOLERANCES:</b><br/>XX +/- .01<br/>XXX +/- .005</p> <p><b>MATERIAL:</b></p> <p><b>FINISH:</b></p> | NAME   | DATE           |                         |
|  |   |  | DRAWN  | 2021-09-13     |                         |
|  |   |  | ENG APPR.  |                |                         |
|  |   |  | <p>COMMENTS<br/>Refer to file<br/>R-600025</p> <p>for all geometry</p> |                |                         |
|  |   |  | PART NO.   | R-600025       | <p>REV<br/><b>A</b></p> |
|  |   |  | DESCRIPTION  | 240V Forge Ctl |                         |
|  |   |  | SHEET 5 OF 5   |                | SHEET SIZE: B           |