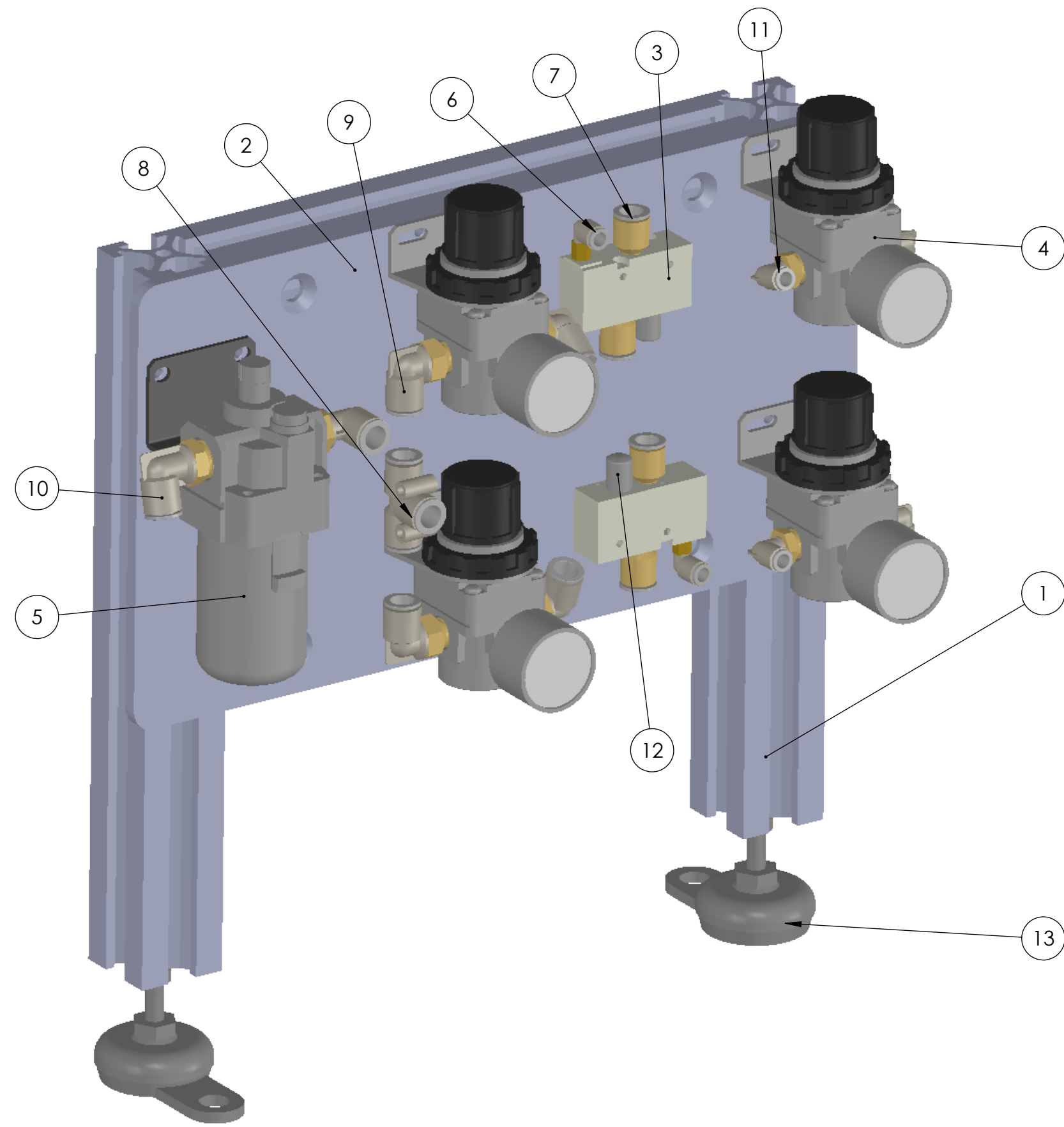


ITEM NO.	Description	QTY.
1	Extrusion Frame	1
2	Panel Plate	1
3	3/2 Valve, PILOT OP	2
4	Air Regulator	4
5	Air Lubricator	1
6	6mm, elbow fitting	2
7	10mm, straight fitting	4
8	10mm, tee-fitting	1
9	10mm, elbow fitting	4
10	10mm, elbow fitting	2
11	6mm, elbow fitting	4
12	Air Muffler, 1/8 NPT	2
13	Leveling Foot	2



PROPRIETARY AND CONFIDENTIAL
 THE INFORMATION CONTAINED IN THIS DRAWING IS THE SOLE PROPERTY OF READY ROBOTICS. ANY REPRODUCTION IN PART OR AS A WHOLE WITHOUT THE WRITTEN PERMISSION OF READY ROBOTICS IS PROHIBITED.

NAME	DATE
DRAWN Josh Miller	2021-10-07
ENG APPR.	
COMMENTS Refer to file Pneumatic Panel	
for all geometry	

PART NO.	R-700001
DESCRIPTION	Pneumatic Panel
REV	A
SHEET 1 OF 1	SHEET SIZE: B