



Superior Clamping and Gripping

**SCHUNK** 

**TANDEM**<sup>®</sup> PGS3

## Pneumatic Clamping Vise

The quality and performance you expect from SCHUNK, at an affordable value – the perfect entry into automation.

# TANDEM PGS3

The pneumatic clamping vise for entry into automated machine loading.

## Machine tending made simple.

Collaborative robots and an abundance of integrators have made it easier than ever to implement automated machine tending. Many small to medium size manufacturers are making the investment into automation and seeing it pay back in less than 6 months.

## Choose an industry leader.

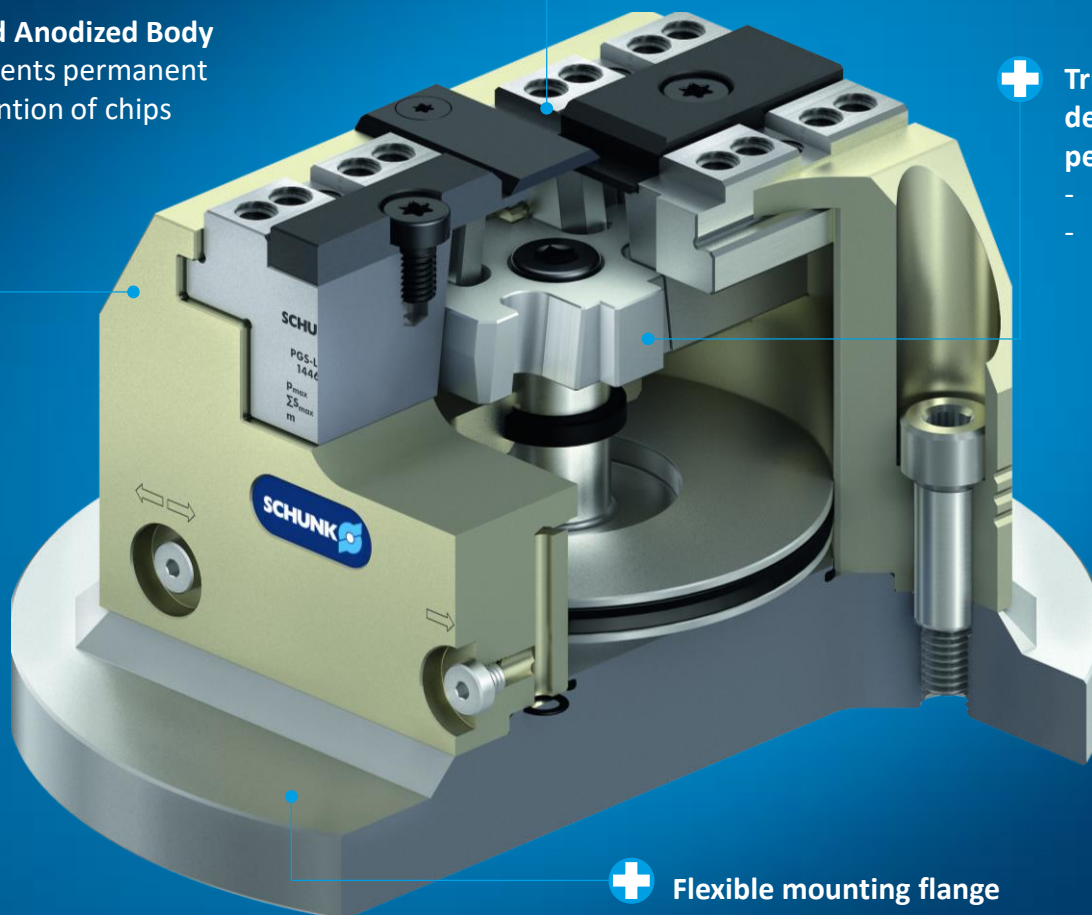
By choosing SCHUNK, you can count on our 75+ years of knowledge and experience in building quality components for the industrial automated manufacturing industry. The TANDEM PGS3 vise is no exception – reliable, quality construction at an entry-level price.

**+ Hard Anodized Body**  
Prevents permanent retention of chips

**+ 0.02mm Guaranteed Repeat Accuracy**  
For precise clamping of your workpieces

**+ Trusted wedge hook design for maximum performance**

- 4,500 N clamp force
- 6 mm stroke per jaw



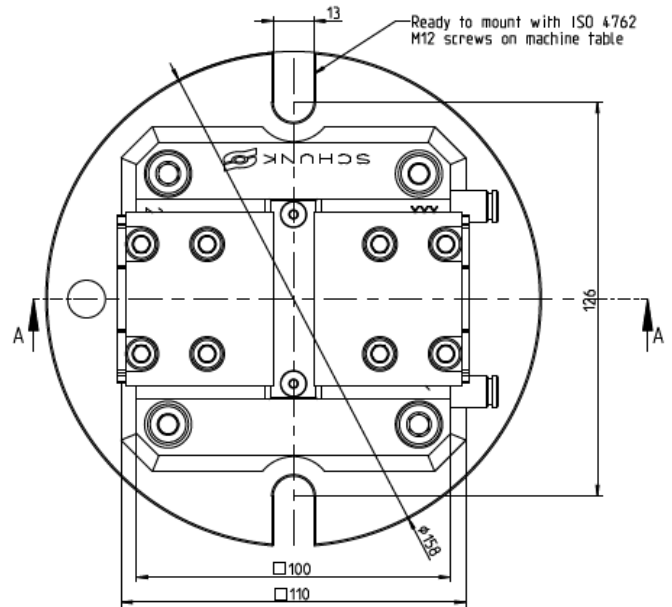
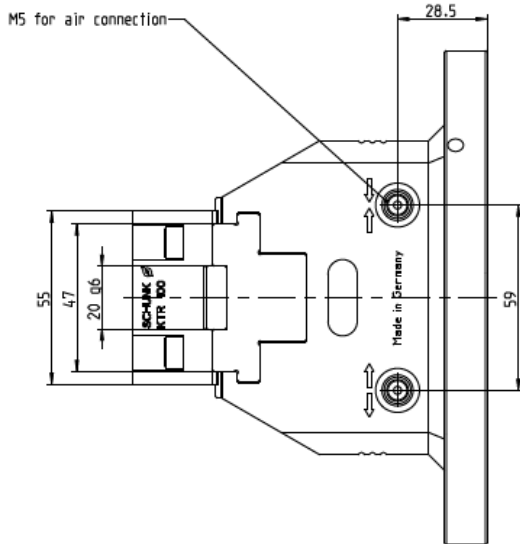
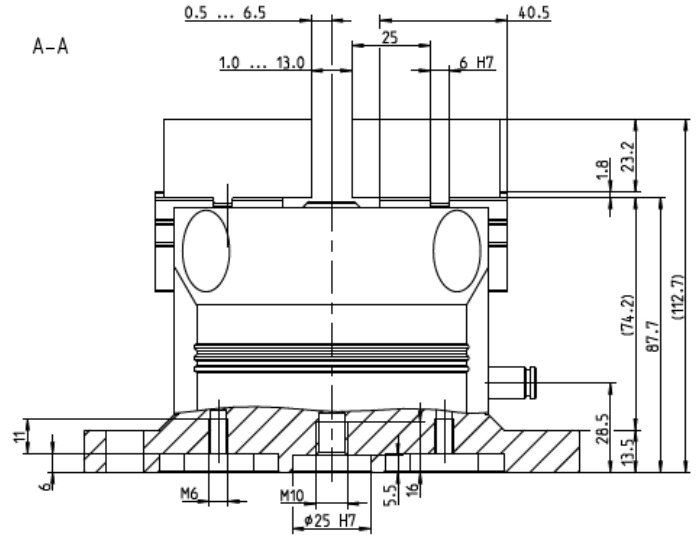
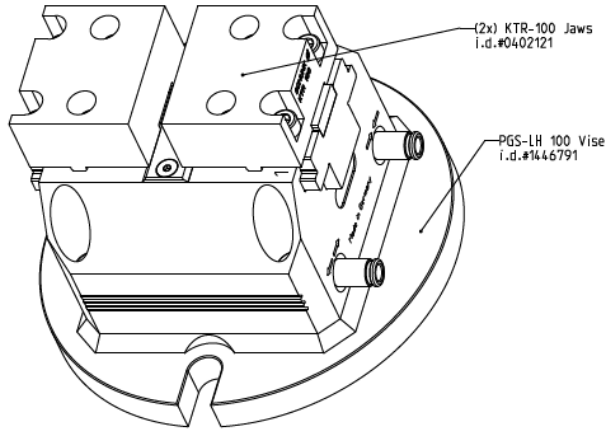
**+ Flexible mounting flange**  
For easy installation, right out of the box. Direct mounting to t-slot table, and even adaptable to the VERO-S quick-change pallet system

# TANDEM PGS3

Pneumatic clamping vise



Description	ID No.	Stroke/jaw [mm]	Clamping force* [N]	Max pressure [bar]	Repeatability [mm]	Max. Jaw height [mm]	Weight [kg]
TANDEM PGS3-LH 100 + KTR 100	1452531	6	4500	6	0.02	45	5

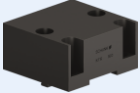
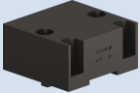
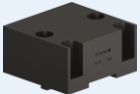


\*Clamping force is the arithmetic sum of the individual forces occurring on the clamping jaws at a distance of "H" at maximum pressure or maximum torque.

**\$1,990**

**TANDEM PGS3-LH 100 + KTR 100**

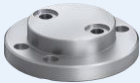
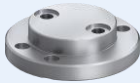
## Jaw Blanks

Jaws	Description	Jaw width [mm]	Jaw height [mm]	Clamping range [mm]	ID No. Steel	ID No. Aluminum
	<b>KTR 100</b> Standard top jaw blanks with tongue and groove interface.	55	25	0 – 70	402121	1457088
	<b>KTR-H 100</b> Extra high top jaw blanks with tongue and groove interface.	55	48	0 – 70	402221	1457090
	<b>KTR-W 100</b> Extra wide top jaw blanks with tongue and groove interface.	100	25	0 – 70	1457091	1457092

## Mounting Hardware

	Description	Suitable for	ID No.
	<b>Soc. Hd. Cap Screw &amp; T-nuts</b> Set of 2, Includes mounting screws & corresponding T-nut	T-nut 12mm / M10	1457095
		T-nut 14mm / M12	1457096
		T-nut 16mm / M12	1457097
		T-nut 18mm / M12	1457098
	<b>VERO-S Clamping Pin Kit</b> Includes 1x SPA pin + 1x IXB indexing pin & corresponding mounting screws	NSL3 150-V1-T	1444508

## Air Connection Kits

	Description	Suitable for	ID No.
	<b>Air Adaption Kit - HAAS</b> For bottom-side air connection interface to HAAS rotary tables equipped with Air Clamping Provision	HAAS TRT 160 – Air Clamping Provision	1453915
		HAAS TRT 210 – Air Clamping Provision	1453914
	<b>Air Adaption Kit - Universal</b> For bottom-side air connection interface – machinable blank, according to customer requirement	Adaptable per customer requirements	1456198