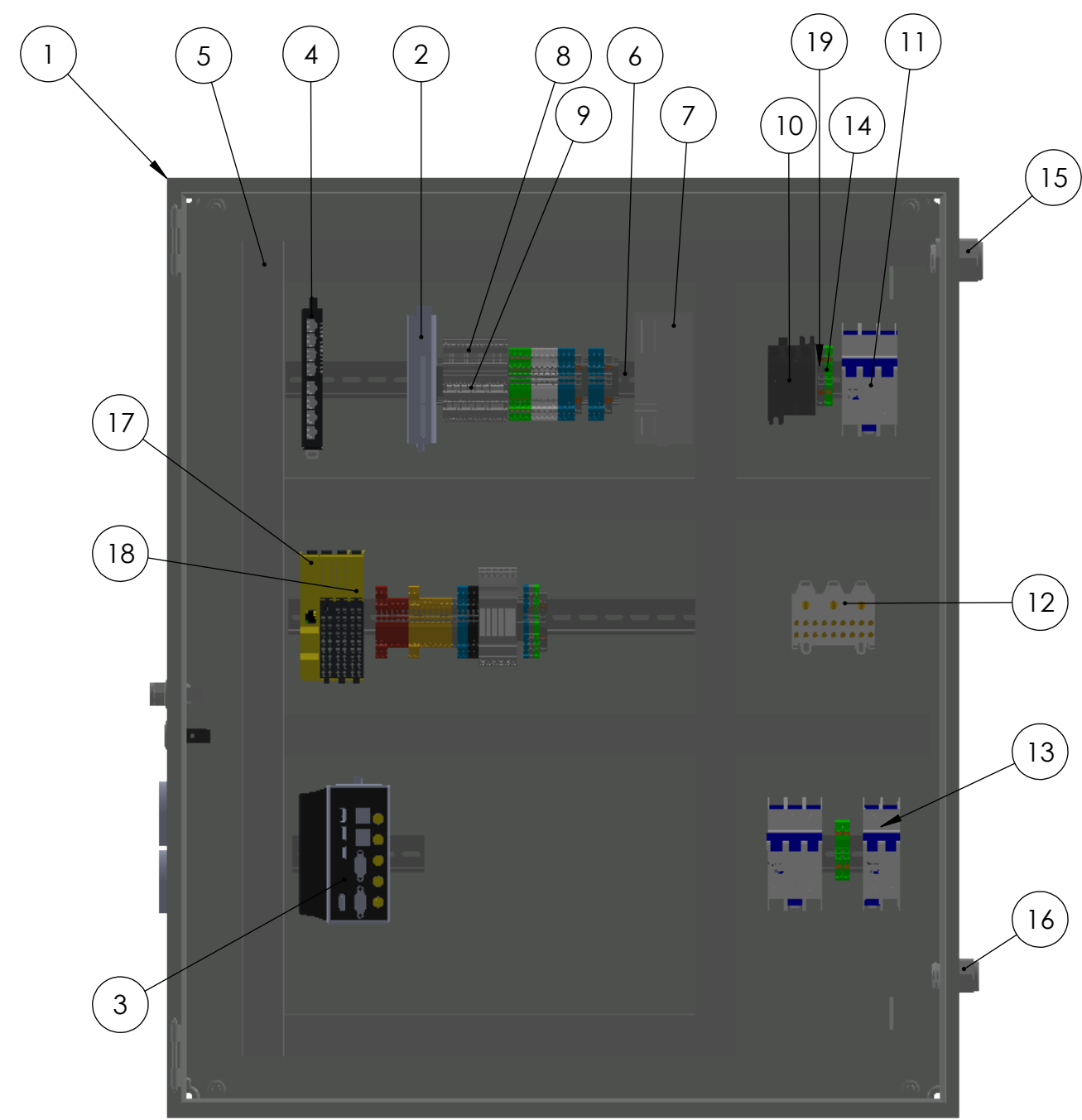


ITEM NO.	Mfg	Mfg Part Number	
1	Rittal	8017.579	1
2	Moxa	ioLogik-E1200	1
3	Moxa	MC-1200	1
4	Moxa	SDS-3008	1
5	McMaster	7578K263	2
6	McMaster	8961K15	1
7	Wago	787-1632	1
8	Wago	2000-5311	9
9	Wago	2000-402	16
10	Eaton	R5A3016U	1
11	Altech	UL489 (3-pole)	2
12	Altech	38075	1
13	Altech	UL489 (2-pole)	1
14	Wago	2206-1207	3
15	McMaster	69915K72	1
16	McMaster	69915K55	1
17	Sick	1085351	1
18	Sick	1085354	1
19	Wago	2206-1201	4



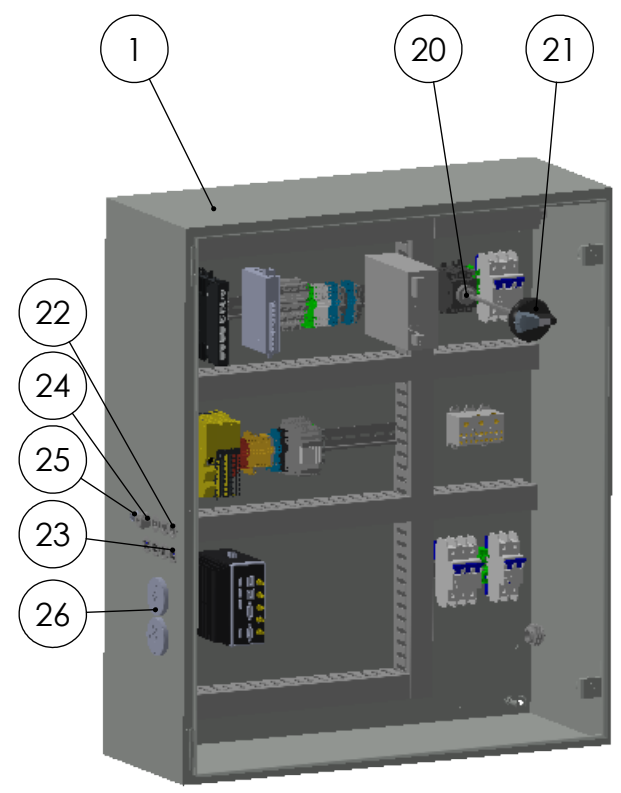
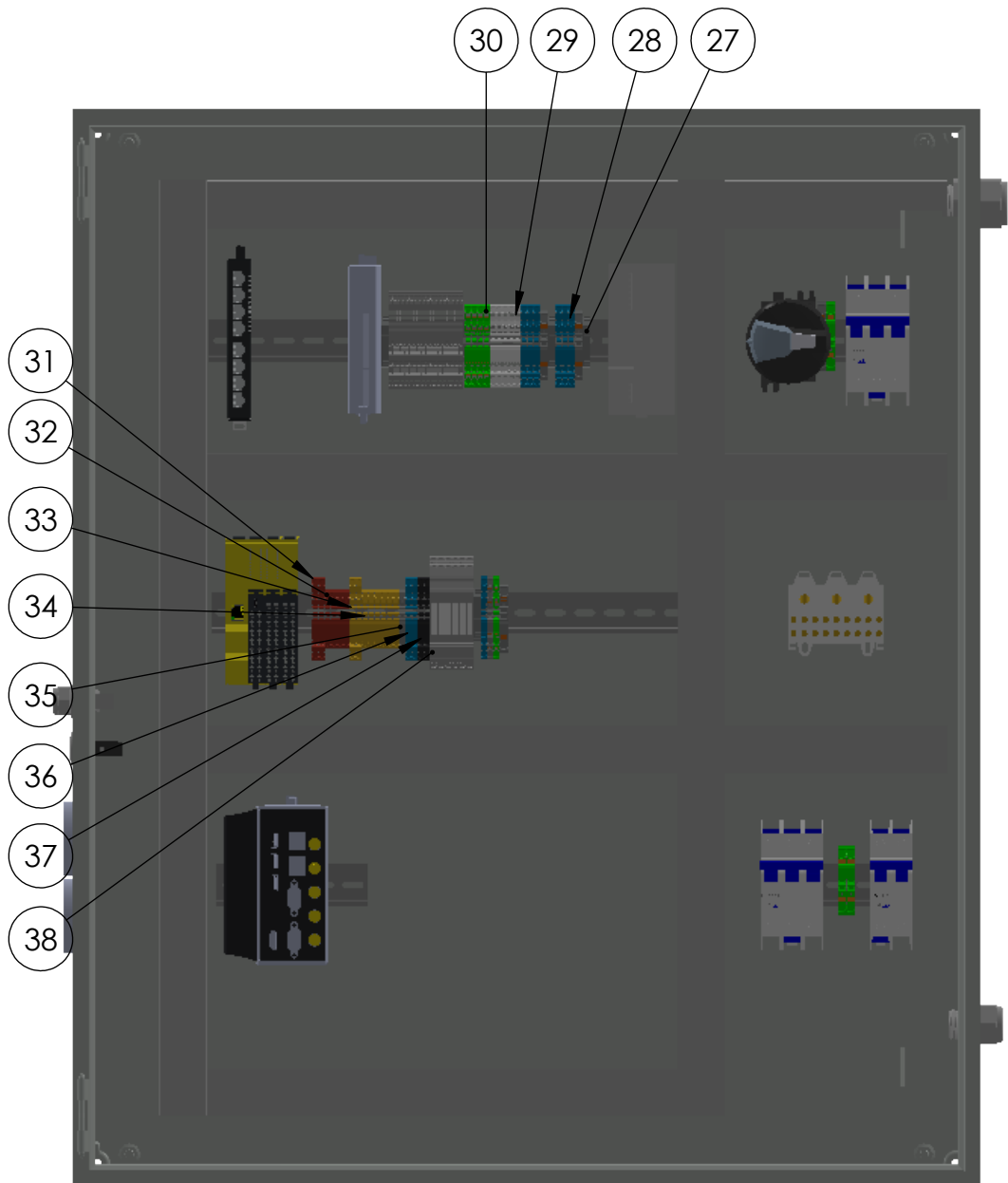
PROPRIETARY AND CONFIDENTIAL
 THE INFORMATION CONTAINED IN THIS DRAWING IS THE SOLE PROPERTY OF READY ROBOTICS. ANY REPRODUCTION IN PART OR AS A WHOLE WITHOUT THE WRITTEN PERMISSION OF READY ROBOTICS IS PROHIBITED.

NAME	DATE
DRAWN Josh Miller	2021-09-13
ENG APPR.	
COMMENTS Refer to file 240V Forge Ctrl	
for all geometry	

READY ROBOTICS

PART NO.	R-600025
DESCRIPTION	240V Forge Ctrl
REV	A
SHEET 1 OF 5	SHEET SIZE: B

ITEM NO.	Mfg	Mfg Part Number	
20	Eaton	SF320SH5X5	1
21	Eaton	SHB00N12	1
22	McMaster	1422N300	3
23	McMaster	1423N900	4
24	McMaster	69915K53	1
25	Phoenix	1430446	1
26	Icotek	43752	2
27	Wago	249-116	4
28	Wago	2002-1404	7
29	Wago	2202-1401	6
30	Wago	2202-1407	5
31	Wago	2002-1403	2
32	Wago	2002-1203	4
33	Wago	2002-1406	2
34	Wago	2002-1206	6
35	Wago	2002-1201	1
36	Wago	2002-1404	2
37	Wago	2002-1405	2
38	Wago	857-304	6



PROPRIETARY AND CONFIDENTIAL
 THE INFORMATION CONTAINED IN THIS DRAWING IS THE SOLE PROPERTY OF READY ROBOTICS. ANY REPRODUCTION IN PART OR AS A WHOLE WITHOUT THE WRITTEN PERMISSION OF READY ROBOTICS IS PROHIBITED.

NAME	DATE	
DRAWN Josh Miller	2021-09-13	
ENG APPR.		
COMMENTS		PART NO.
Refer to file 240V Forge Ctrl		R-600025
for all geometry		DESCRIPTION
		240V Forge Ctrl
		REV
		A
		SHEET 2 OF 5
		SHEET SIZE: B

6 5 4 3 2 1

D

D

C

C

B

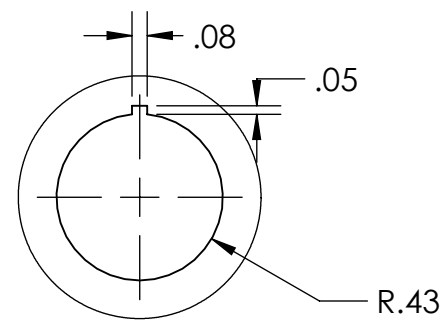
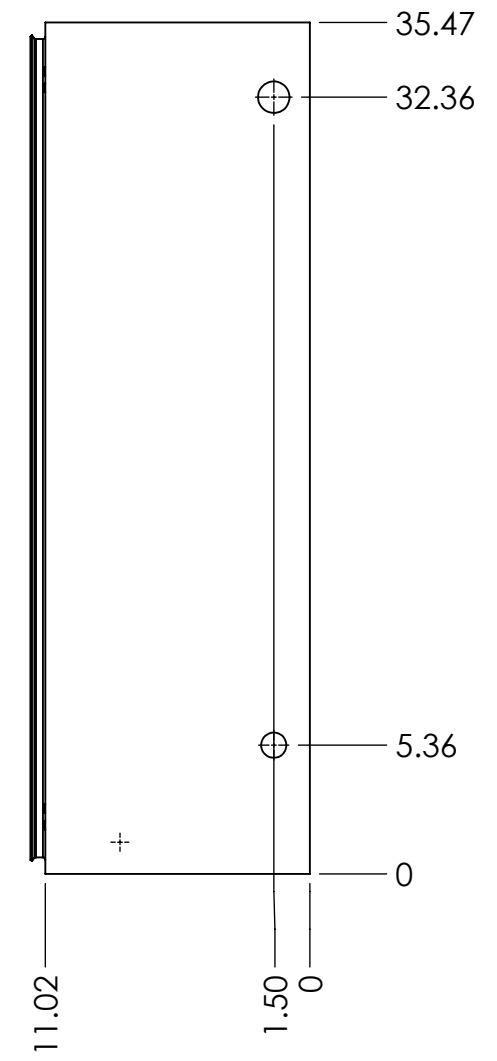
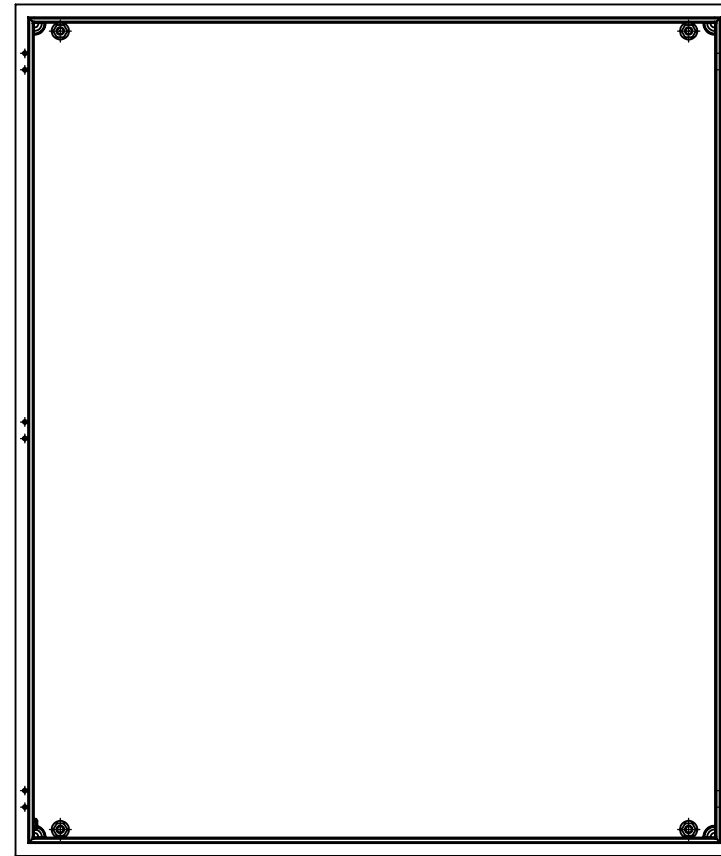
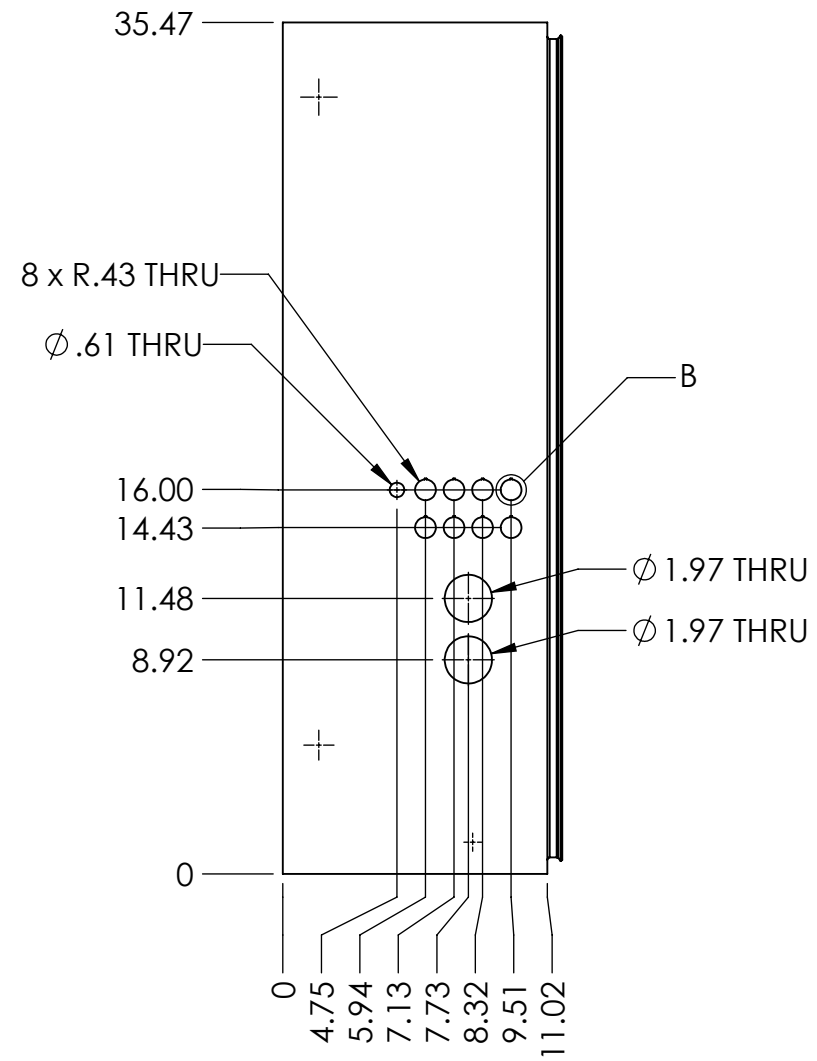
B


A

A

REVISION HISTORY

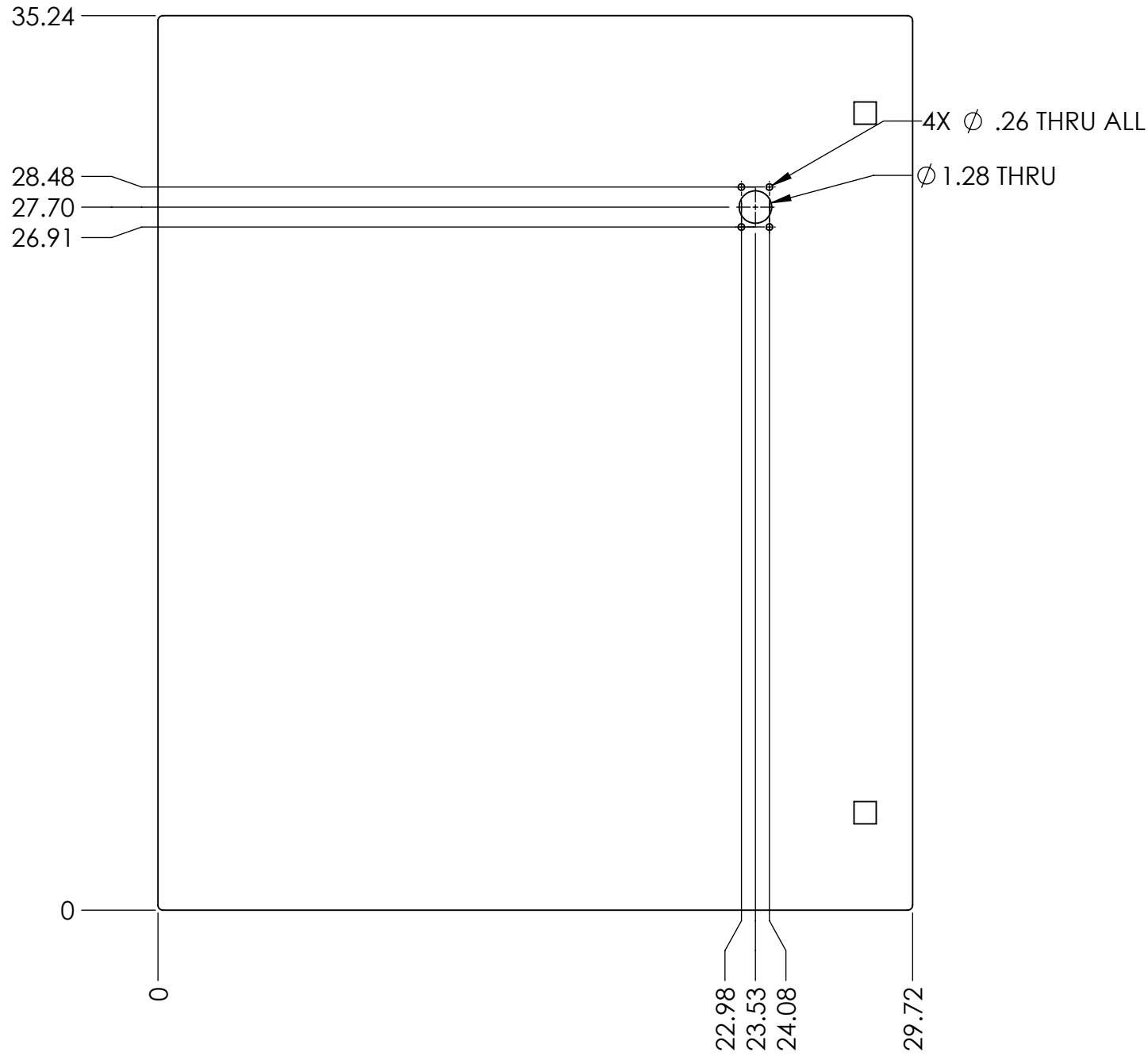
A	INITIAL RELEASE	J.M.	2021-09-13
---	-----------------	------	------------




<p>PROPRIETARY AND CONFIDENTIAL</p> <p>THE INFORMATION CONTAINED IN THIS DRAWING IS THE SOLE PROPERTY OF READY ROBOTICS. ANY REPRODUCTION IN PART OR AS A WHOLE WITHOUT THE WRITTEN PERMISSION OF READY ROBOTICS IS PROHIBITED.</p>	<p>NOTE ON DIMENSIONS:</p> <p>ONLY REFERENCE AND CRITICAL DIMENSIONS SHOWN. PLEASE REFER TO 3D MODEL FOR ALL OTHER DIMENSIONS. NOMINAL TOLERANCE SHOULD BE USED UNLESS OTHERWISE SPECIFIED</p>	<p>DIMENSIONS:</p> <p>in</p> <p>TOLERANCES:</p> <p>XX +/- .01</p> <p>XXX +/- .005</p> <p>MATERIAL:</p> <p>FINISH:</p>	NAME	DATE	
			DRAWN	2021-09-13	
			ENG APPR.		
			<p>COMMENTS</p> <p>Refer to file R-600025</p> <p>for all geometry</p>		
PART NO.		R-600025		REV	A
DESCRIPTION		240V Forge Ctrl		SHEET SIZE: B	
				SHEET 3 OF 5	

REVISION HISTORY

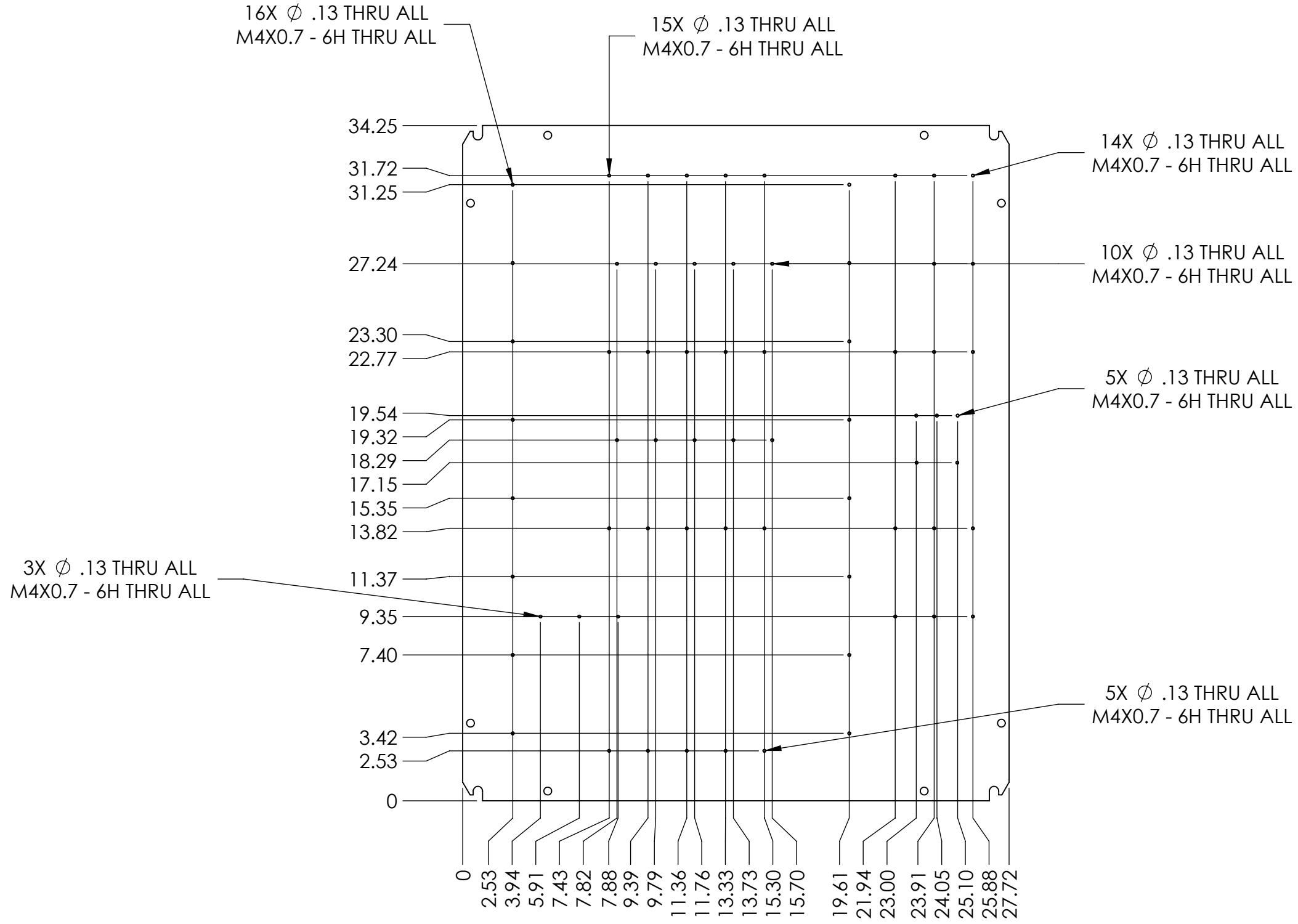
A	INITIAL RELEASE	J.M.	2021-09-13
---	-----------------	------	------------




<p>PROPRIETARY AND CONFIDENTIAL</p> <p>THE INFORMATION CONTAINED IN THIS DRAWING IS THE SOLE PROPERTY OF READY ROBOTICS. ANY REPRODUCTION IN PART OR AS A WHOLE WITHOUT THE WRITTEN PERMISSION OF READY ROBOTICS IS PROHIBITED.</p>	<p>NOTE ON DIMENSIONS:</p> <p>ONLY REFERENCE AND CRITICAL DIMENSIONS SHOWN. PLEASE REFER TO 3D MODEL FOR ALL OTHER DIMENSIONS. NOMINAL TOLERANCE SHOULD BE USED UNLESS OTHERWISE SPECIFIED</p>	<p>DIMENSIONS: in</p> <p>TOLERANCES: XX +/- .01 XXX +/- .005</p> <p>MATERIAL:</p> <p>FINISH:</p>	NAME	DATE	
			DRAWN	2021-09-13	
			ENG APPR.		
			<p>COMMENTS</p> <p>Refer to file R-600025</p> <p>for all geometry</p>		
			PART NO.	R-600025	
			DESCRIPTION	240V Forge Ctl	REV A
			SHEET 4 OF 5		SHEET SIZE: B

REVISION HISTORY

A	INITIAL RELEASE	J.M.	2021-09-13
----------	-----------------	------	------------



<p>PROPRIETARY AND CONFIDENTIAL</p> <p>THE INFORMATION CONTAINED IN THIS DRAWING IS THE SOLE PROPERTY OF READY ROBOTICS. ANY REPRODUCTION IN PART OR AS A WHOLE WITHOUT THE WRITTEN PERMISSION OF READY ROBOTICS IS PROHIBITED.</p>	<p>NOTE ON DIMENSIONS:</p> <p>ONLY REFERENCE AND CRITICAL DIMENSIONS SHOWN. PLEASE REFER TO 3D MODEL FOR ALL OTHER DIMENSIONS. NOMINAL TOLERANCE SHOULD BE USED UNLESS OTHERWISE SPECIFIED</p>	<p>DIMENSIONS: in</p> <p>TOLERANCES: XX +/- .01 XXX +/- .005</p> <p>MATERIAL:</p> <p>FINISH:</p>	NAME	DATE	
			DRAWN	2021-09-13	
			ENG APPR.		
			<p>COMMENTS</p> <p>Refer to file R-600025</p> <p>for all geometry</p>		
			PART NO.	R-600025	REV
			DESCRIPTION	240V Forge Ctl	A
			SHEET 5 OF 5		SHEET SIZE: B