

ITEM NO.	Mfg	Mfg Part Number	QTY.
1	Wago	750-362	1
2	Wago	750-602	1
3	Wago	750-430	1
4	Wago	750-600	1
5	Wago	750-530	1
6	Wago	2000-5311	9
7	SMC	KQ2E06	8
8	SMC	KQ2E10	2
9	SMC	JSY3A00-5NZ	4
10	SMC	JJ5SY3-10SEBN-04B-C6	1
11	Wago	2002-1206	4
12	Wago	2002-1406	4
13	Wago	2002-1491	6
14	Wago	2002-1291	2
15	Wago	2202-1404	6
16	Wago	2202-1407	3
17	Wago	2202-1403	2
18	Wago	2202-1401	6
19	Wago	2206-1207	1
20	Wago	2206-1201	1
21	Wago	2202-1203	2
22	Wago	2202-1611	7
23	Wago	249-116	11
24	Wago	2202-405	2
25	Wago	2000-408	4
26	Teguar	TB-5545-MVS	1

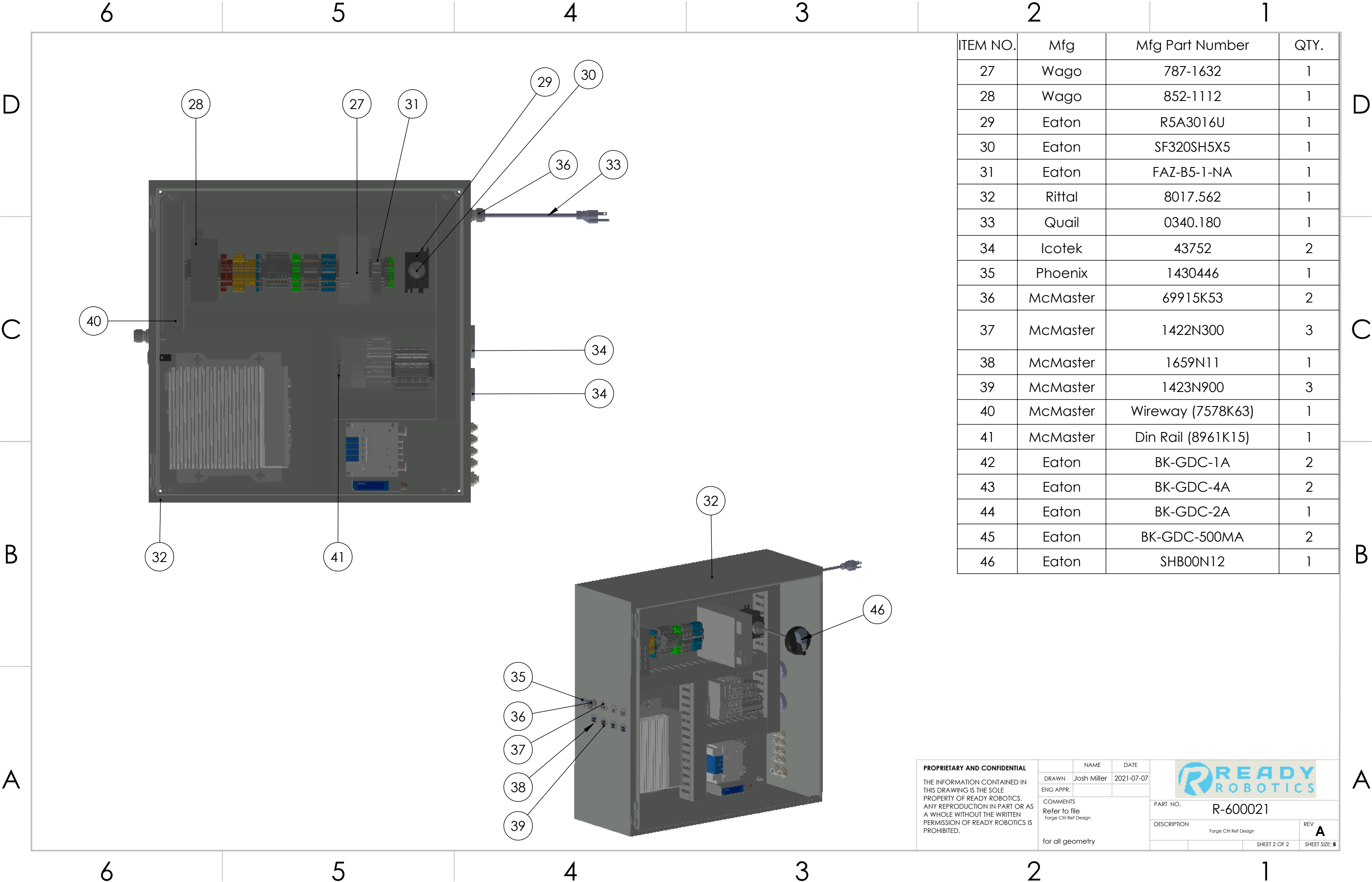
PROPRIETARY AND CONFIDENTIAL
 THE INFORMATION CONTAINED IN THIS DRAWING IS THE SOLE PROPERTY OF READY ROBOTICS. ANY REPRODUCTION IN PART OR AS A WHOLE WITHOUT THE WRITTEN PERMISSION OF READY ROBOTICS IS PROHIBITED.

DRAWN	NAME	DATE
ENG APPR.	Josh Miller	2021-07-07
COMMENTS		
Refer to file Forge Ctrl Ref Design		
for all geometry		

READY ROBOTICS

PART NO.	R-600021
DESCRIPTION	Forge Ctrl Ref Design
REV	A

SHEET 1 OF 2 SHEET SIZE: B



ITEM NO.	Mfg	Mfg Part Number	QTY.
27	Wago	787-1632	1
28	Wago	852-1112	1
29	Eaton	R5A3016U	1
30	Eaton	SF320SH5X5	1
31	Eaton	FAZ-B5-1-NA	1
32	Rittal	8017.562	1
33	Quail	0340.180	1
34	Icotek	43752	2
35	Phoenix	1430446	1
36	McMaster	69915K53	2
37	McMaster	1422N300	3
38	McMaster	1659N11	1
39	McMaster	1423N900	3
40	McMaster	Wireway (7578K63)	1
41	McMaster	Din Rail (8961K15)	1
42	Eaton	BK-GDC-1A	2
43	Eaton	BK-GDC-4A	2
44	Eaton	BK-GDC-2A	1
45	Eaton	BK-GDC-500MA	2
46	Eaton	SHB00N12	1

PROPRIETARY AND CONFIDENTIAL

THE INFORMATION CONTAINED IN THIS DRAWING IS THE SOLE PROPERTY OF READY ROBOTICS. ANY REPRODUCTION IN PART OR AS A WHOLE WITHOUT THE WRITTEN PERMISSION OF READY ROBOTICS IS PROHIBITED.

	NAME	DATE
DRAWN	Josh Miller	2021-07-07
ENG APPR.		

COMMENTS
Refer to file
Forge Ctrl Ref Design

for all geometry



PART NO.	R-600021	
DESCRIPTION	Forge Ctrl Ref Design	REV A
	SHEET 2 OF 2	SHEET SIZE: B

6 5 4 3 2 1

D

D

C

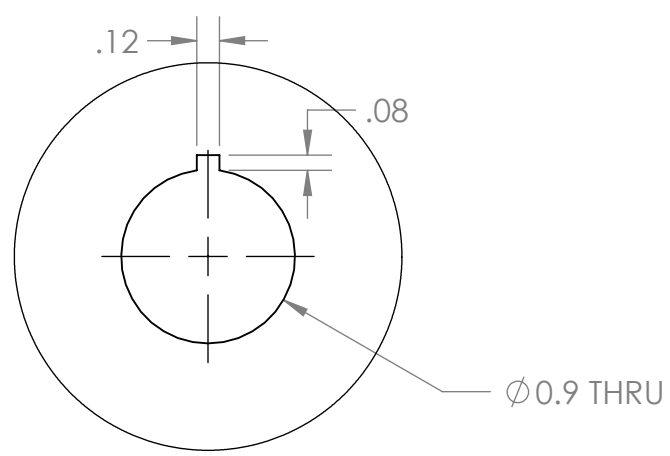
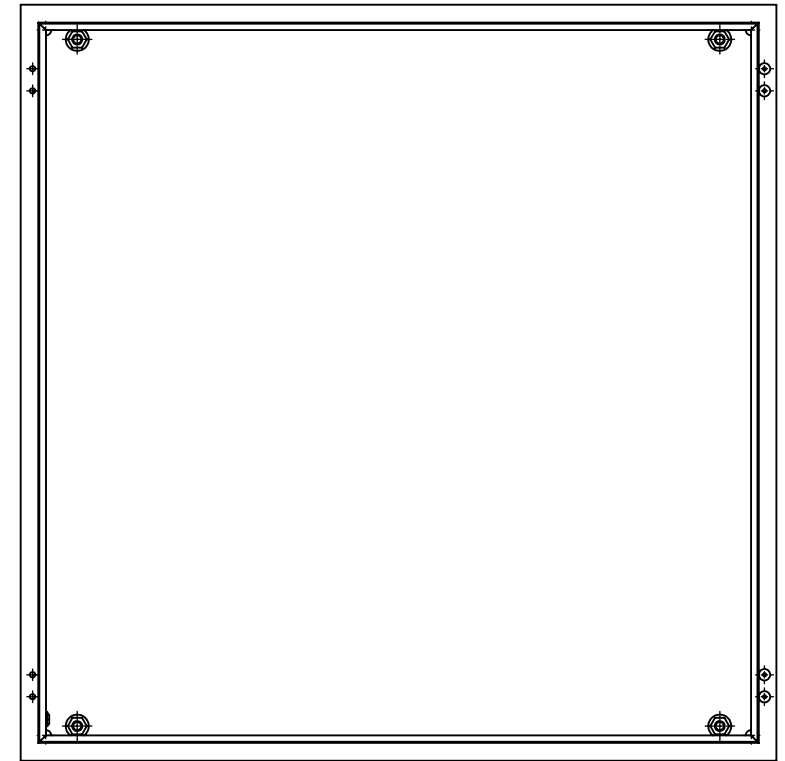
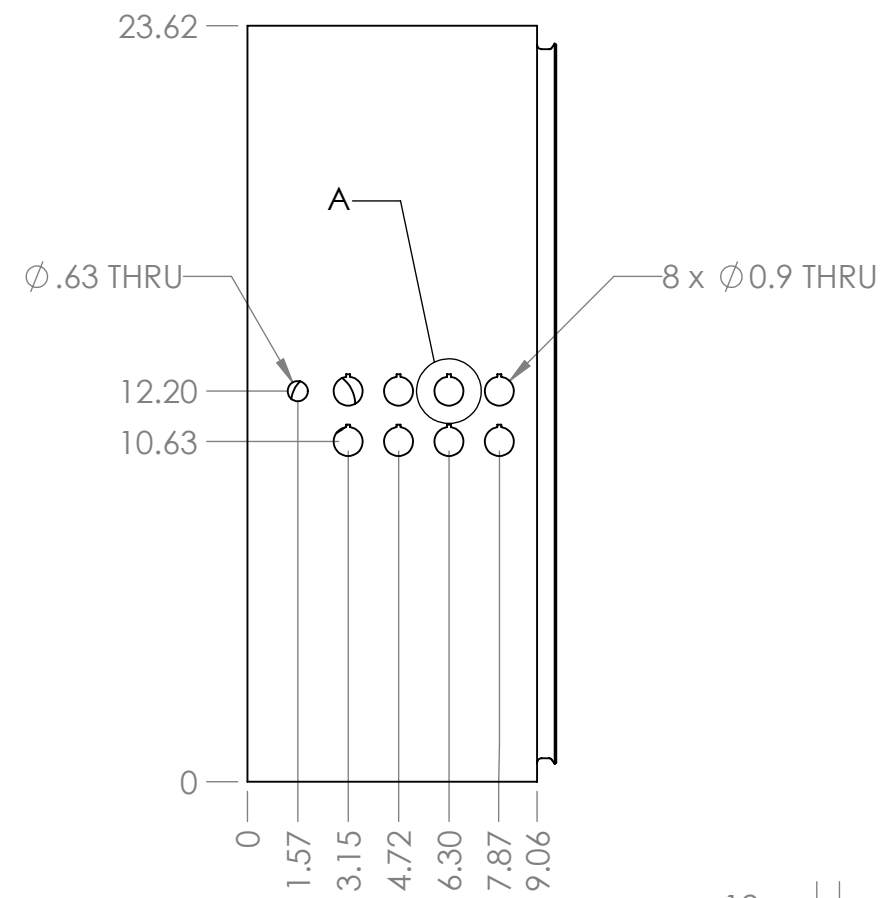
C

B

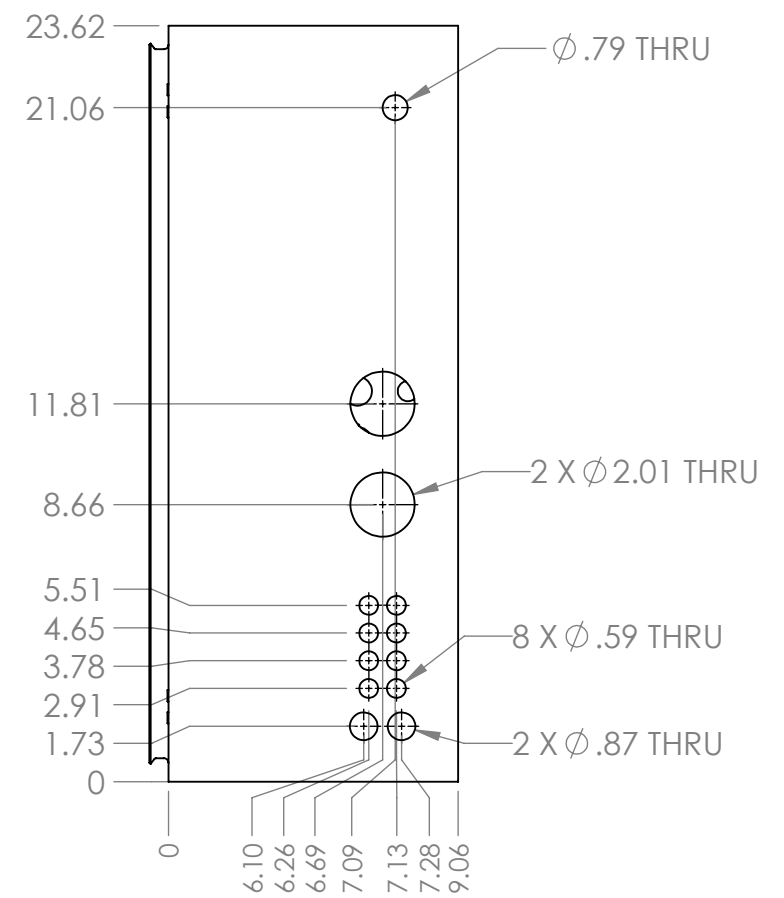
B

A

A



DETAIL A
SCALE 1:1



PROPRIETARY AND CONFIDENTIAL		NAME	DATE	
THE INFORMATION CONTAINED IN THIS DRAWING IS THE SOLE PROPERTY OF READY ROBOTICS. ANY REPRODUCTION IN PART OR AS A WHOLE WITHOUT THE WRITTEN PERMISSION OF READY ROBOTICS IS PROHIBITED.		DRAWN Josh Miller	2021-07-07	
		ENG APPR.		PART NO. R-301521
		COMMENTS Refer to file Forge Ctrl Housing Modifications		DESCRIPTION Forge Ctrl Housing Modifications
		for all geometry		REV A
				SHEET 1 OF 1 SHEET SIZE: B

6 5 4 3 2 1

6

5

4

3

2

1

D

D

C

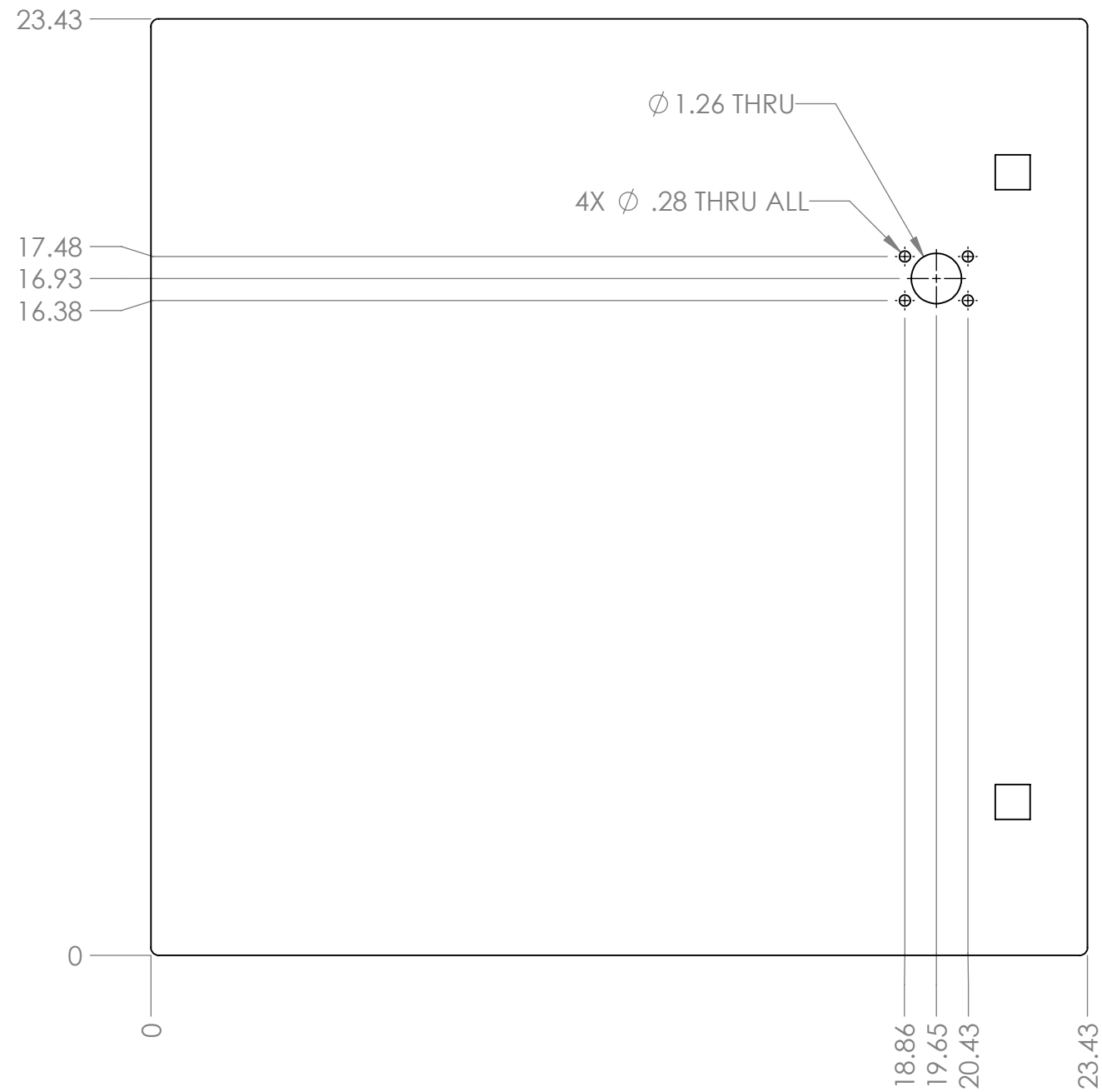
C

B

B

A

A



PROPRIETARY AND CONFIDENTIAL		NAME	DATE	
THE INFORMATION CONTAINED IN THIS DRAWING IS THE SOLE PROPERTY OF READY ROBOTICS. ANY REPRODUCTION IN PART OR AS A WHOLE WITHOUT THE WRITTEN PERMISSION OF READY ROBOTICS IS PROHIBITED.		DRAWN Josh Miller	2021-07-07	
		ENG APPR.		
		COMMENTS Refer to file		PART NO. R-301522
		Forge Ctrl Ref Design - 8017.562 Door Modifications		DESCRIPTION Forge Ctrl Ref Design - 8017.562 Door Modifications
		for all geometry		REV A
				SHEET 1 OF 1 SHEET SIZE: B

6

5

4

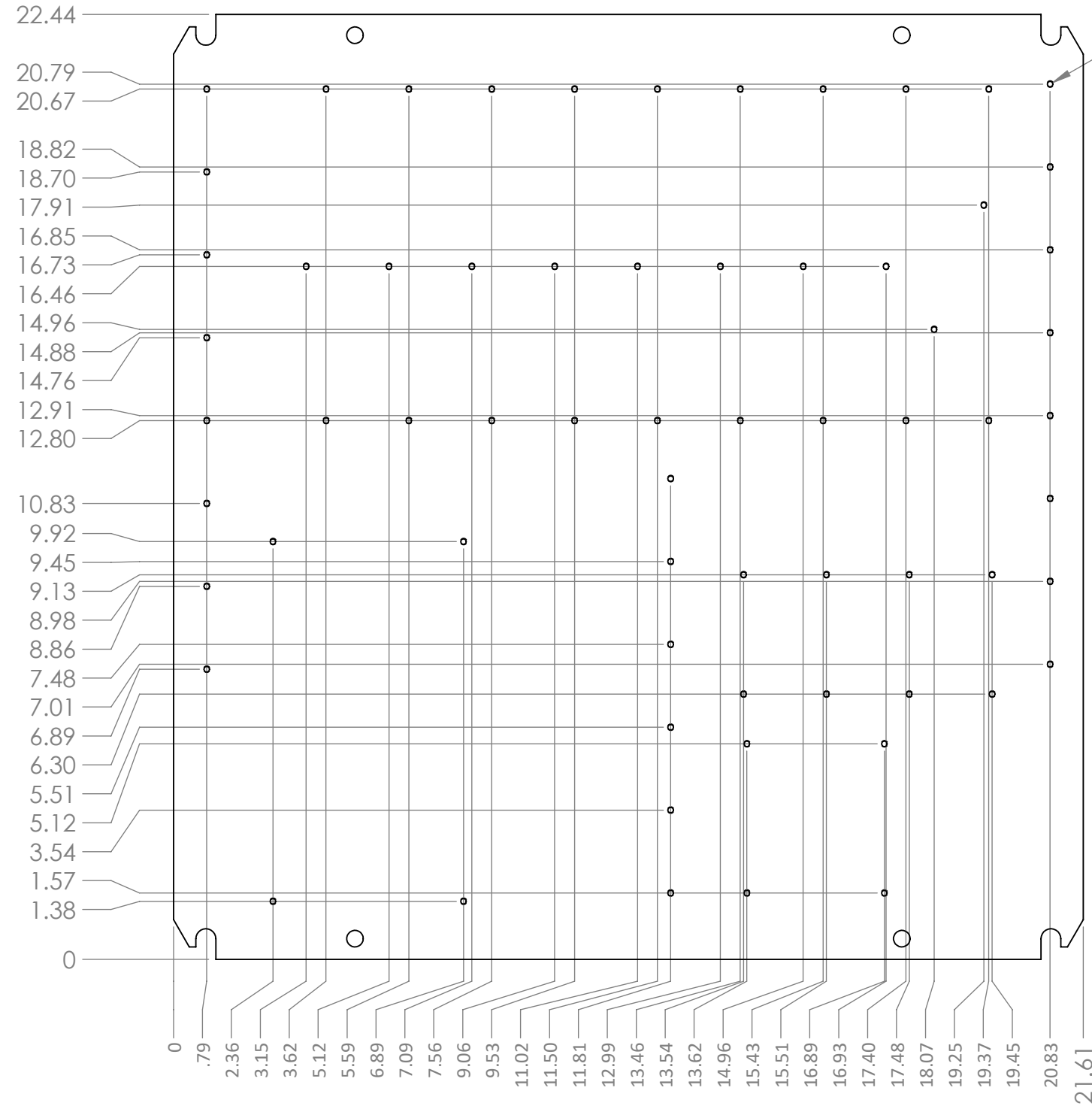
3

2

1

REVISION HISTORY

A	INITIAL RELEASE	J.M.	2021-07-07
---	-----------------	------	------------



<p>PROPRIETARY AND CONFIDENTIAL</p> <p>THE INFORMATION CONTAINED IN THIS DRAWING IS THE SOLE PROPERTY OF READY ROBOTICS. ANY REPRODUCTION IN PART OR AS A WHOLE WITHOUT THE WRITTEN PERMISSION OF READY ROBOTICS IS PROHIBITED.</p>	<p>NOTE ON DIMENSIONS:</p> <p>ONLY REFERENCE AND CRITICAL DIMENSIONS SHOWN. PLEASE REFER TO 3D MODEL FOR ALL OTHER DIMENSIONS. NOMINAL TOLERANCE SHOULD BE USED UNLESS OTHERWISE SPECIFIED</p>	<p>DIMENSIONS: in</p> <p>TOLERANCES: XX +/- .01 XXX +/- .005</p> <p>MATERIAL:</p> <p>FINISH:</p>	NAME	DATE				
			DRAWN	Miller		2021-07-07		
			ENG APPR.			<p>COMMENTS</p> <p>Refer to file</p> <p>R-301520 - 8017.562 Back Panel Modified</p>	PART NO.	R-301520
			for all geometry				DESCRIPTION	R-301520 - 8017.562 Back Panel Modifications

SHEET 1 OF 1 SHEET SIZE: B