

6

5

4

3

2

1

D

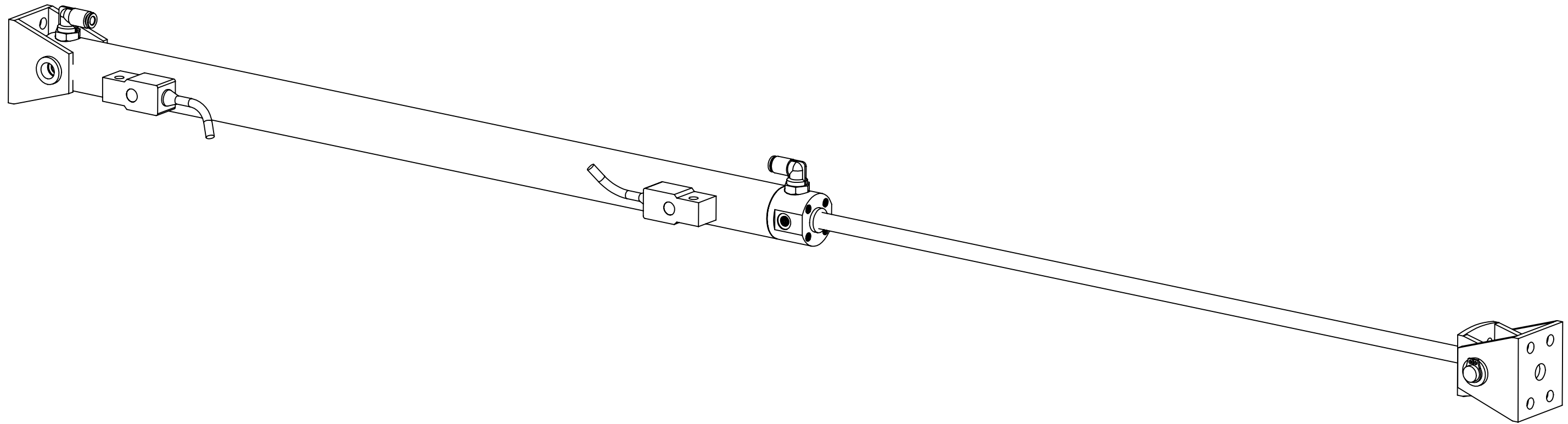
D

C

C

B

B



ITEM NO.	MFG	Part Number	DESCRIPTION	QTY.
1	SMC	NCDGBN20-1500-X142US	Dual Stroke Single Rod Round Body Air Cylinder	1
2	SMC	NCG-T020	Trunnion Bracket with Pins	1
3	SMC	KQ2L03-U01A	Tubing Fitting, Male Elbow, 5/32-in Tube, 1/8-in UNI Thread Connection	2
4	SMC	D-B53	24VDC Reed Switch w/ LED, 0.5m lead	2

PROPRIETARY AND CONFIDENTIAL
 THE INFORMATION CONTAINED IN THIS DRAWING IS THE SOLE PROPERTY OF READY ROBOTICS. ANY REPRODUCTION IN PART OR AS A WHOLE WITHOUT THE WRITTEN PERMISSION OF READY ROBOTICS IS PROHIBITED.

DRAWN	C.Swaim	DATE	2021-01-28
ENG APPR.			
COMMENTS			
Refer to file R-700011 - Pneumatic Door Opener - SMC for all geometry			

PART NO. R-700011

DESCRIPTION Pneumatic Door Opener - SMC

REV A

SHEET 1 OF 1 SHEET SIZE: B

6

5

4

3

2

1

A

A